

LED Emergency Series

Exit and Emergency Lights



Illumination

- Long lasting, efficient ultra-bright white LED lamp heads
- High-performance chrome-plated metalized reflector and plastic lens for optimal light distribution
- Adjustable LED lamp heads provide optimal center-to-center spacing
- High-lumen option available for increased center-to-center spacing

Electrical

- Dual 120/277 voltage
- Charge rate/power "ON" LED indicator light and push to test switch for mandated code compliance testing
- Long-life, maintenance-free, rechargeable NiCd battery
- Internal solid-state transfer switch automatically connects the internal battery to LED lamp heads for minimum 90-minute emergency illumination
- Fully automatic solid-state, two-rate charger initiates battery charging to recharge a discharged battery in 24 hours

Mounting

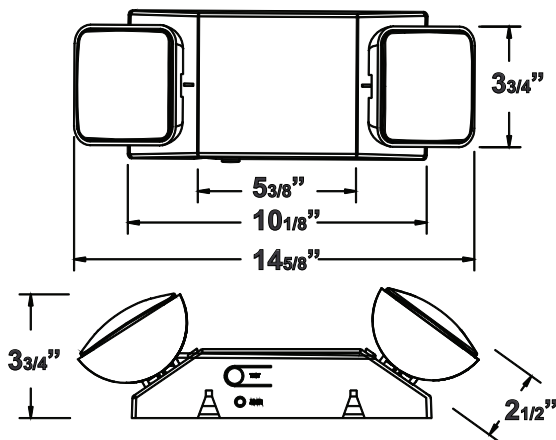
- Surface mount via quick-connect back plate; fits most standard size junction boxes and snaps into place to make internal electrical connections
- Conduit mount knockout on top of housing and back plate
- Suitable for wall or ceiling mount

Housing

- Injection-molded, engineering-grade, 5VA flame retardant, high-impact resistant, thermoplastic in white or black finish

Dimensional Drawings

AL-LEDR-1



Options

- **SDT:** Self-diagnostic test feature continually diagnoses unit's performance and tests system to ensure reliable operation and to meet electrical and life safety codes
- **HL:** 12-LED heads provide increased center-to-center spacing

Warranty



- Meets UL924, NFPA101 Life Safety Code, NEC, OSHA, Local and State Codes

Standard



Optional



Ordering Guide

Series	Housing Color	Options
AL-LEDR-1	W: White B: Black	SDT: Self-Diagnostics HL: High-Lumen

Adding an Abaco Lighting approved motion sensor system to your lighting upgrade project will further enhance energy savings and create an even faster payback. Specifications are subject to change with or without notice.