

AL-BE-WPS

LED SHOEBOX WALL PACK

DESCRIPTION

The AL-BE-WPS is an economical solution for outdoor perimeter and area lighting. With a built-in photocell, a die cast aluminum housing, and a frosted, polycarbonate lens.

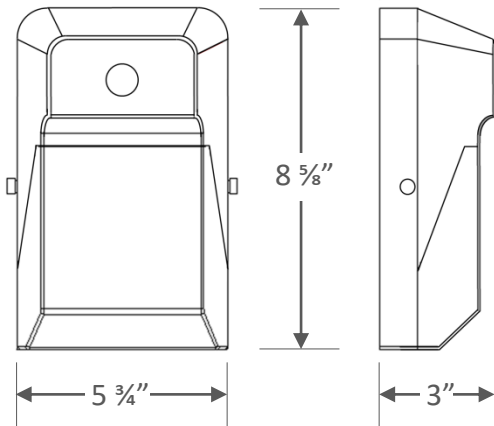
FEATURES

- High efficacy, long-life LEDs provide both energy and maintenance cost savings compared to traditional, HID wall packs.
- Frosted lens provides uniform illumination with no visible pixelation.
- Standard photocell.
- Complies with RoHS (Restriction on Hazardous Substances)
- 5 Year Warranty on all electronics and housing.



SPECIFICATIONS

Dimensional Drawing



AL-BE-WPS-20-8-50-U

Power Consumption	20 watt
Input Voltage	120 - 277V
Lumen Output	2,472 Lm
Efficacy	126 Lm/W
Color Rendering	>80 CRI
Color Temperature	40 (4000K) / 50 (5000K)
Warranty	5 Years
Life Time Rating	63,000 hrs
Dimming	No
Certifications	cULus, DLC
Replaces	100W HID
Ambient Temp.	-4° F to 113° F

ORDERING GUIDE

Series	Wattage	CRI	CCT	Driver
AL-BE-WPS	20: 20 Watt	8: >80	40: 4000K 50: 5000K	U: 120-277V