

AL-CCV SERIES

Wet Location LED Corncob Lights

DESCRIPTION

Ideal for replacing existing High Intensity Discharge (HID) lamps: Metal Halide, High Pressure Sodium, and Mercury Vapor lamps.

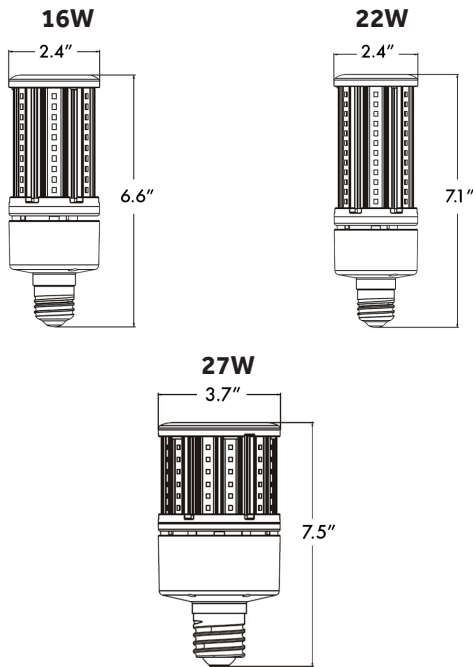
FEATURES

- Isolated driver and hollow aluminum heat sink for improved airflow
- Approved for totally enclosed fixtures
- IP64 rated, dust tight and wet locations
- Very low energy consumption, low thermal output
- Ballast-free operation only
- Easy installation, 120-277V | Not suitable for dimmers
- Simple installation, screw into existing HID sockets
- UV (Ultra-Violet) and IR (Infra-Red) free
- 100% Mercury free



SPECIFICATIONS

DIMENSIONAL DRAWING



Model Name	AL-CCV-16W	AL-CCV-22W	AL-CCV-27W
Power Consumption	16 watt	22 watt	27 watt
Input Voltage	120 - 277V, 480V**	120 - 277V, 480V**	120 - 277V, 480V**
Lumen Output	2,080 Lm	2,860 Lm	3510 Lm
Efficacy	130 Lm/W	130 Lm/W	130 Lm/W
Color Rendering	>80 CRI	>80 CRI	>80 CRI
Color Temperature	4000K 5000K	4000K 5000K	4000K 5000K
Replaces	70W-100W HID	100W-175W HID	250W HID
Life Time Rating	50,000 hrs	50,000 hrs	50,000 hrs
Size (ØD x H)	2.4" x 6.5"	2.4" x 7.1"	3.7" x 7.5"
Weight	1.5 lbs	1.5 lbs	1.7 lbs
Ambient Temperature	-40° F to 140° F	-40° F to 140° F	-40° F to 140° F
Base Configuration	Medium Base	Medium Base	Medium or Mogul Base*

*DLC Qualified only applies to mogul base option
 **480V utilizing step down transformer

ORDERING GUIDE

Series	Wattage	CRI	CCT	Base
AL-CCV	16: 16 watt 22: 22 watt 27: 27 watt	8: >80	40: 4000K 50: 5000K	MED: Medium MOG: Mogul