



Lighting Guidebook

Commercial & Industrial



(877) 337-4123 • www.abacolighting.com
2411 NW 16 Lane #5, Pompano Beach, FL 33064

About Abaco Lighting

Abaco Lighting professionals help your business control rising electricity costs, manage the ever-changing environmental regulations, and address concerns about employee well-being and safety.

We develop an energy strategy that will save you money and add value to your business going forward. With lighting consuming as much as 25% of the energy used in most businesses, increasing your efficiency through better lighting can dramatically impact your monthly energy bill.

Possibly the easiest cost savings measure a commercial and industrial property can do to drive down energy costs is a lighting retrofit.



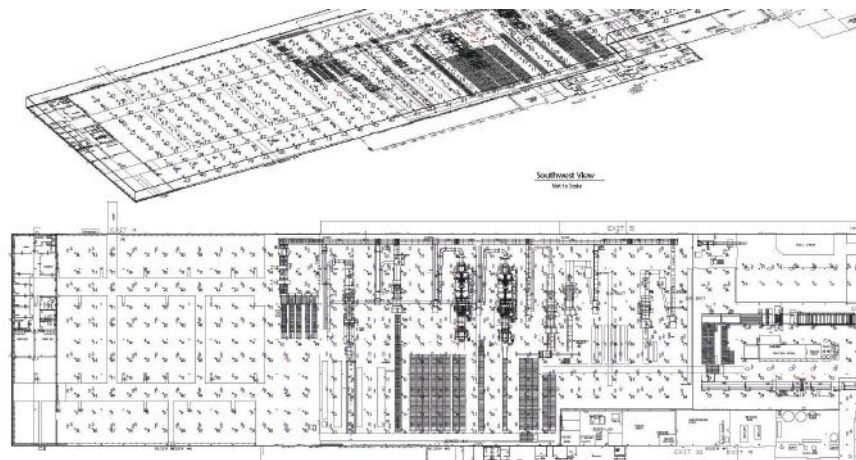
This is a simple way to make your building's lighting more energy efficient. The energy savings will quickly pay for the installed equipment and produces a relatively fast return on investment.

Lighting retrofits improve the quality of light, improving employee morale and reduce heat in the building envelope, which will significantly reduce HVAC expense.

Abaco Lighting will install the latest energy efficient lighting in your facility. We will warranty, service and monitor the new lighting system for five (5) years.

Customers can upgrade their lighting with no money out-of-pocket using a leasing tool that eliminates a large upfront expense and generates instant positive cash flow.

Power monitoring equipment, included in the new lighting system, sends real-time lighting power usage data back to monitor and guarantee actual savings.



The Process

Initial Consultation - Your Abaco Lighting representative will discuss the goals of your project and review technology, incentives, and lighting needs of your facility. These initial guidelines will become the basis for our recommendations and proposal.

Building Lighting Audit - A full inventory of the existing lighting in the building is taken at this time. Important criteria such as desired foot candle levels, areas that are candidates for occupancy sensors, and safety are all noted. Environmental factors such as moisture and heat are also considered. The existing system information will be the basis for our calculation of existing system costs.

Lighting Design - To ensure that foot candle goals are met prior to the installation of the new lighting system, our team will provide a lighting layout using photo metric software to show what light levels can be expected after the project is complete.

ROI Analysis - Most energy-efficient lighting projects are based on a return on investment. Our team will compare the existing lighting system with our proposed system and deliver a complete energy and financial analysis of the project. We will show return on investments that include utility rebates, federal tax incentives, maintenance savings, and HVAC savings.


Shared Savings - Immediate savings from energy efficient lighting projects with zero out-of-pocket expense.


Converting to the latest energy efficient LED lighting product through shared savings eliminates facilities capital budget obstacle.

A recent study of chief financial officers indicated that 41% of energy efficient projects never get completed because of capital expenditure constraints.





Table of Contents

5 **Linear LED High Bays**
pg. 5 - 8 


9 **Round LED High Bays**
pg. 9 - 12 


13 **Wet Location Fixtures**
pg. 13 - 15 


16 **LED Office Lighting**
pg. 16 - 18 


19 **LED Strip Lights**
pg. 19 


20 **Sensors & Accessories**
pg. 20-21 

22 **Exit & Emergency Lights**
pg. 22 - 24 


25 **LED Work & Dock Lights**
pg. 25 


26 **LED Linear Tubes**
pg. 26 - 27 

28 **LED Corn Lights**
pg. 28-29 


30 **LED Retro-Fit Lamps**
pg. 30 


31 **LED Wall Packs & Canopies**
pg. 31-36 

37 **LED Flood Lights**
pg. 37-39 

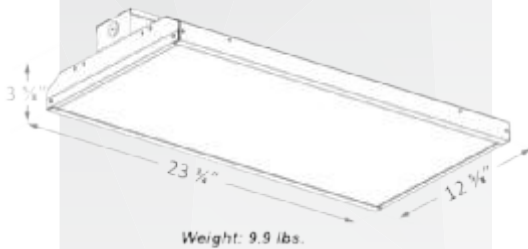
40 **Area Lights**
pg. 40-41 

42 **Vapor Proof**
pg. 42 

43 **Hazardous Location Lights
Food Grade** pg. 43-46 

47 **LED Light Bulbs**
pg. 47-48 

49 **HID & Fluorescent Lamps**
pg. 49 



Mounting Options



PENDANT MOUNT



LOOP CABLE

Y CABLE



OCCUPANCY SENSOR



Model Name	AL-BE-HB-87-8-50-U
Input Wattage (W)	87W
Voltage (V)	U (120-277V) / HV (480V)
Lumen Output (lm)	12,394 lm
Efficacy (lm/W)	142 lm/W
Color Rendering Index	80+ CRI
Color Temperature	40 (4000K) / 50 (5000K)
Dimming Compatible	Yes
Replacement Wattage	250-400W HID, 4LT5, 6LT8
Longevity (L70)	122,000 Hours
Certifications/Listings	UL, DLC

Model Name	AL-BE-HB-132-8-50-U
Input Wattage (W)	132 W
Voltage (V)	U (120-277V) / HV (480V)
Lumen Output (lm)	18,564 lm
Efficacy (lm/W)	141 lm/W
Color Rendering Index	80+ CRI
Color Temperature	40 (4000K) / 50 (5000K)
Dimming Compatible	Yes
Replacement Wattage	400W HID, 4LT5, 6LT8
Longevity (L70)	122,000 Hours
Certifications/Listings	UL, DLC

Model Name	AL-BE-HB-178-8-50-U
Input Wattage (W)	178W
Voltage (V)	U (120-277V) / HV (480V)
Lumen Output (lm)	24,603 lm
Efficacy (lm/W)	143 lm/W
Color Rendering Index	80+ CRI
Color Temperature	40 (4000K) / 50 (5000K)
Dimming Compatible	Yes
Replacement Wattage	400-750W HID, 6LT5, 8LT8
Longevity (L70)	122,000 Hours
Certifications/Listings	UL, DLC



LINEAR LED HIGH BAYS

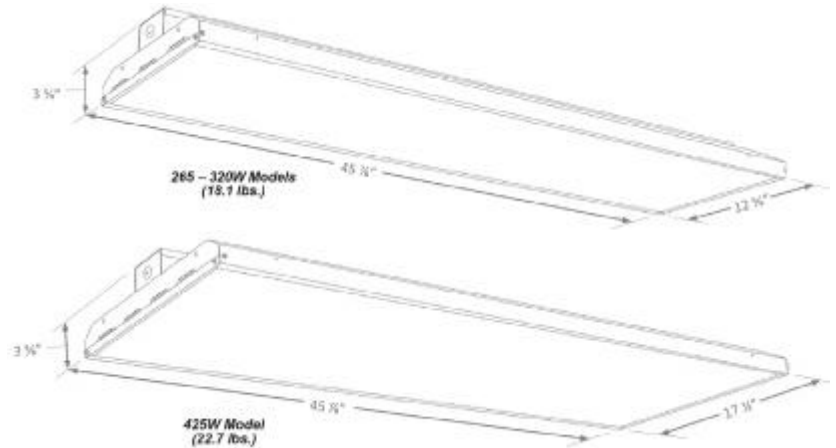
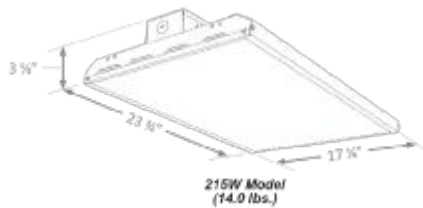


LINEAR LED HIGH BAYS



Model Name	AL-BE-HB-213-8-50-U	AL-BE-HB-267-8-50-U
Input Wattage (W)	213W	267W
Voltage (V)	U (120-277V) / HV (480V)	U (120-277V) / HV (480V)
Lumen Output (lm)	30,356 lm	37,996 lm
Efficacy (lm/W)	143 lm/W	142 lm/W
Color Rendering Index	80+ CRI	80+ CRI
Color Temperature	40 (4000K) / 50 (5000K)	40 (4000K) / 50 (5000K)
Dimming Compatible	Yes	Yes
Replacement Wattage	750W HID, 8LT5	750W HID, 10LT5
Longevity (L70)	122,000 hours	122,000 hours
Certifications/Listings	UL, DLC	UL, DLC

Model Name	AL-BE-HB-320-8-50-U	AL-BE-HB-428-8-50-U
Input Wattage (W)	320W	428W
Voltage (V)	U (120-277V) / HV (480V)	U (120-277V) / HV (480V)
Lumen Output (lm)	44,460 lm	60,629 lm
Efficacy (lm/W)	139 lm/W	142 lm/W
Color Rendering Index	80+ CRI	80+ CRI
Color Temperature	40 (4000K) / 50 (5000K)	40 (4000K) / 50 (5000K)
Dimming Compatible	Yes	Yes
Replacement Wattage	750W-1000W HID, 10LT5-12LT5	1000W HID, 12LT5
Longevity (L70)	122,000 hours	122,000 hours
Certifications/Listings	UL, DLC	UL, DLC



LED Full Body High Bay

Quantity: 1 / Carton

- Long life
- Energy efficient
- Steel housing
- UL listed for damp locations
- Optional lenses, wire guards, surface-mounting, pendant-mounting & cable kits are available

AL-BE-HB-178-8-50-U

MINI WFC SUPPLY CONDUCTORS



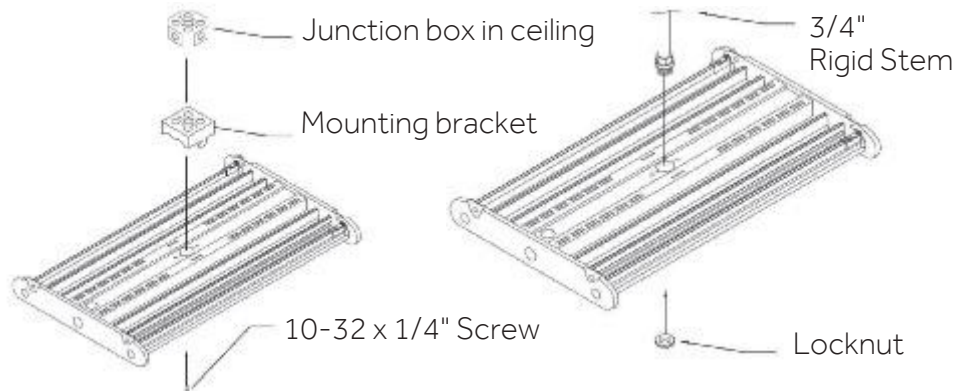
The AL-ES4P Series provides the highest quality reliability and performance with extraordinary lumen maintenance and efficacy.

- Guaranteed Lumen Maintenance
- Superior ROI for your application
- Best Thermal Management
- Lowest Total Cost of Ownership

PREMIUM LINEAR LED HIGH BAYS

Model Name	AL-ES4P-08K-8-50-U	AL-ES4P-13K-8-50-U	AL-ES4P-17K-8-50-U
Input Wattage (W)	50W	80W	107W
Voltage (V)	U (120-277V) / HV (480V)	U (120-277V) / HV (480V)	U (120-277V) / HV (480V)
Lumen Output (lm)	8,291 lm	13,438 lm	17,818 lm
Efficacy (lm/W)	165 lm/W	167 lm/W	166 lm/W
Color Rendering Index	80+ CRI	80+ CRI	80+ CRI
Color Temperature	40 (4000K) / 50 (5000K)	40 (4000K) / 50 (5000K)	40 (4000K) / 50 (5000K)
Dimming Compatible	Yes	Yes	Yes
Replacement Wattage	175W - 250W HID	250W - 400W HID, 4LT5, 6LT8	400W HID, 4LT5, 6LT8
Longevity (L70)	309,000 hours	309,000 hours	309,000 hours
Certifications/Listings	ETL, DLC, RoHS	ETL, DLC, RoHS	ETL, DLC, RoHS

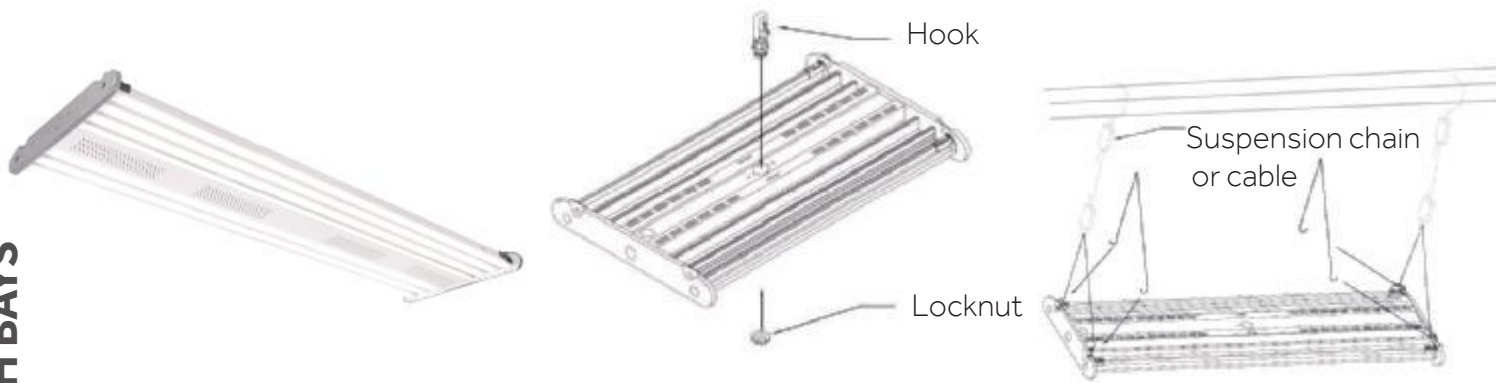
HIGHEST EFFICIENCY AND LONGEST LIFE



MAX. AMBIENT TEMPERATURE 65°C

Model Name	AL-ES4P-21K-8-50-U	AL-ES4P-24K-8-50-U
Input Wattage (W)	129W	145W
Voltage (V)	U (120-277V) / HV (480V)	U (120-277V) / HV (480V)
Lumen Output (lm)	21,743 lm	24,874 lm
Efficacy (lm/W)	169 lm/W	171 lm/W
Color Rendering Index	80+ CRI	80+ CRI
Color Temperature	40 (4000K) / 50 (5000K)	40 (4000K) / 50 (5000K)
Dimming Compatible	Yes	Yes
Replacement Wattage	400W HID, 4LT5, 6LT8	400-750W HID, 6LT5, 8LT8
Longevity (L70)	309,000 hours	309,000 hours
Certifications/Listings	ETL, DLC, RoHS	ETL, DLC, RoHS

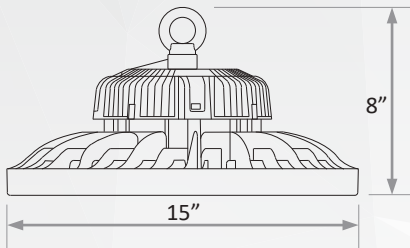
STANDARD LINEAR LED HIGH BAYS



Model Name	AL-ES4P-31K-8-50-U	AL-ES4P-36K-8-50-U	AL-ES4P-43K-8-50-U
Input Wattage (W)	183W	217W	257W
Voltage (V)	U (120-277V) / HV (480V)	U (120-277V) / HV (480V)	U (120-277V) / HV (480V)
Lumen Output (lm)	31,088 lm	36,044 lm	43,486 lm
Efficacy (lm/W)	170 lm/W	166 lm/W	169 lm/W
Color Rendering Index	80+ CRI	80+ CRI	80+ CRI
Color Temperature	40 (4000K) / 50 (5000K)	40 (4000K) / 50 (5000K)	40 (4000K) / 50 (5000K)
Dimming Compatible	Yes	Yes	Yes
Replacement Wattage	400W - 750W HID, 6LT5, 8LT8	750W HID, 8LT5	750W - 1000W HID, 10LT5-12LT5
Longevity (L70)	309,000 hours	309,000 hours	309,000 hours
Certifications/Listings	ETL, DLC, RoHS	ETL, DLC, RoHS	ETL, DLC, RoHS

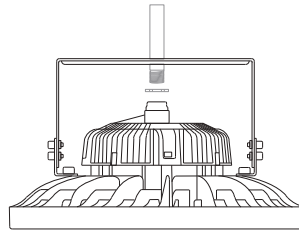


Model Name	AL-ES4P-49K-8-50-U	AL-ES4P-58K-8-50-U
Input Wattage (W)	291W	353W
Voltage (V)	U (120-277V) / HV (480V)	U (120-277V) / HV (480V)
Lumen Output (lm)	49,749 lm	58,933 lm
Efficacy (lm/W)	171 lm/W	167lm/W
Color Rendering Index	80+ CRI	80+ CRI
Color Temperature	40 (4000K) / 50 (5000K)	40 (4000K) / 50 (5000K)
Dimming Compatible	Yes	Yes
Replacement Wattage	750W - 1000W HID, 10LT5-12LT5	1000W HID, 12LT5
Longevity (L70)	309,000 hours	309,000 hours
Certifications/Listings	ETL, DLC, RoHS	ETL, DLC, RoHS

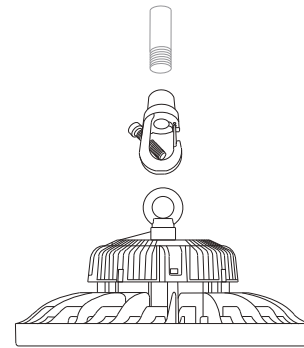


Model Name	AL-BE-HBVT2-100-8-50-U	AL-BE-HBVT2-150-8-50-U
Input Wattage (W)	100W	150W
Voltage (V)	U (120-277V) / HV (480V)	U (120-277V) / HV (480V)
Lumen Output (lm)	13,950 lm	20,624 lm
Efficacy (lm/W)	140 lm/W	137 lm/W
Color Rendering Index	80+ CRI	80+ CRI
Color Temperature	40 (4000K) / 50 (5000K)	40 (4000K) / 50 (5000K)
Dimming Compatible	Yes	Yes
Replacement Wattage	250W - 400W HID, 4LT5, 6LT8	400W HID, 6LT5, 8LT8
Longevity (L70)	141,000 hours	141,000 hours
Certifications/Listings	UL, DLC, IP65	UL, DLC, IP65

Model Name	AL-BE-HBVT2-200-8-50-U	AL-BE-HBVT2-239-8-50-U
Input Wattage (W)	200W	239W
Voltage (V)	U (120-277V) / HV (480V)	U (120-277V) / HV (480V)
Lumen Output (lm)	27,169 lm	32,250 lm
Efficacy (lm/W)	136 lm/W	135 lm/W
Color Rendering Index	80+ CRI	80+ CRI
Color Temperature	40 (4000K) / 50 (5000K)	40 (4000K) / 50 (5000K)
Dimming Compatible	Yes	Yes
Replacement Wattage	400W - 750W HID, 8LT5	400W - 750W HID, 8LT5
Longevity (L70)	141,000 hours	141,000 hours
Certifications/Listings	UL, DLC, IP65	UL, DLC, IP65



**1/2" Conduit-Mounted
(LEDHBRN-YOKE-PRM)**



**3/4" Conduit-Mounted
(LEDHBRN-PSH-PRM-V2)**

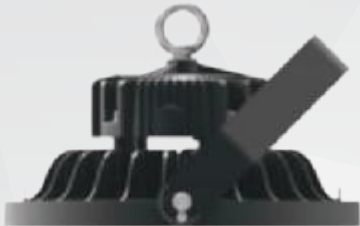


IP65 RATED - PERFECT FOR FOOD GRADE APPLICATIONS

ROUND LED HIGH BAYS - IP67 RATED (Wash Down Fixtures)



Hook Mount



Surface Mount



Pendant Mount



Model Name	AL-XE-HB-60-8-50-U
Input Wattage (W)	60W
Voltage (V)	U (120-277V) / HV (480V)
Lumen Output (lm)	9,000 lm
Efficacy (lm/W)	150 lm/W
Color Rendering Index	80+ CRI
Color Temperature	40 (4000K) / 50 (5000K)
Dimming Compatible	Yes
Replacement Wattage	250-400W HID
Longevity (L70)	100,000 Hours
Certifications/Listings	ETL, DLC, IP67

Model Name	AL-XE-HB-80-8-50-U
Input Wattage (W)	80W
Voltage (V)	U (120-277V) / HV (480V)
Lumen Output (lm)	12,000 lm
Efficacy (lm/W)	150 lm/W
Color Rendering Index	80+ CRI
Color Temperature	40 (4000K) / 50 (5000K)
Dimming Compatible	Yes
Replacement Wattage	400W HID
Longevity (L70)	100,000 Hours
Certifications/Listings	ETL, DLC, IP67

Model Name	AL-XE-HB-100-8-50-U
Input Wattage (W)	100W
Voltage (V)	U (120-277V) / HV (480V)
Lumen Output (lm)	14,400 lm
Efficacy (lm/W)	144 lm/W
Color Rendering Index	80+ CRI
Color Temperature	40 (4000K) / 50 (5000K)
Dimming Compatible	Yes
Replacement Wattage	400W HID
Longevity (L70)	100,000 Hours
Certifications/Listings	ETL, DLC, IP67

PART #	DIMENSIONS		WEIGHT
	W	H	lbs
AL-XE-HB-100	11 7/8"	7 1/8"	8.8
AL-XE-HB-120	11 7/8"	6 1/8"	8.8
AL-XE-HB-160	14 1/8"	8 1/8"	15.5
AL-XE-HB-200	14 1/8"	6 7/8"	15.2
AL-XE-HB-240	14 1/8"	6 7/8"	15.2



Model Name	AL-XE-HB-120-8-50-U
Input Wattage (W)	120W
Voltage (V)	U (120-277V) / HV (480V)
Lumen Output (lm)	18,000 lm
Efficacy (lm/W)	150 lm/W
Color Rendering Index	80+ CRI
Color Temperature	40 (4000K) / 50 (5000K)
Dimming Compatible	Yes
Replacement Wattage	400W HID
Longevity (L70)	100,000 Hours
Certifications/Listings	ETL, DLC, IP67

Model Name	AL-XE-HB-160-8-50-U
Input Wattage (W)	160W
Voltage (V)	U (120-277V) / HV (480V)
Lumen Output (lm)	23,400 lm
Efficacy (lm/W)	146 lm/W
Color Rendering Index	80+ CRI
Color Temperature	40 (4000K) / 50 (5000K)
Dimming Compatible	Yes
Replacement Wattage	400W HID
Longevity (L70)	100,000 Hours
Certifications/Listings	ETL, DLC, IP67

Model Name	AL-XE-HB-200-8-50-U
Input Wattage (W)	200W
Voltage (V)	U (120-277V) / HV (480V)
Lumen Output (lm)	30,400 lm
Efficacy (lm/W)	152 lm/W
Color Rendering Index	80+ CRI
Color Temperature	40 (4000K) / 50 (5000K)
Dimming Compatible	Yes
Replacement Wattage	400W HID
Longevity (L70)	100,000 Hours
Certifications/Listings	ETL, DLC, IP67

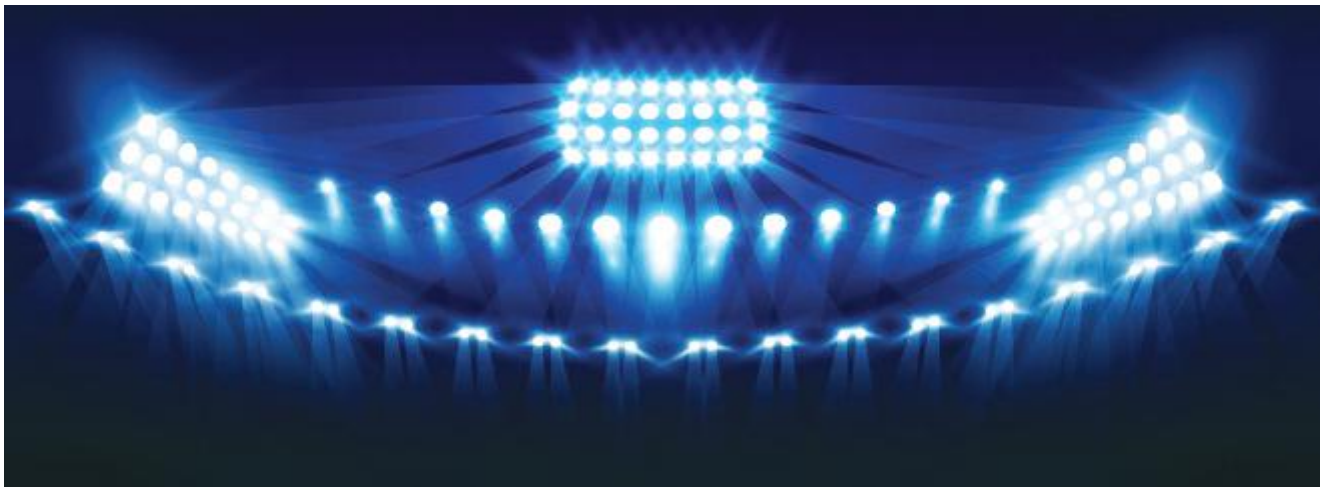
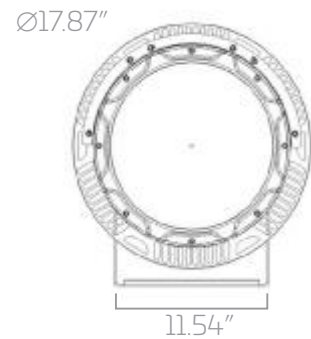
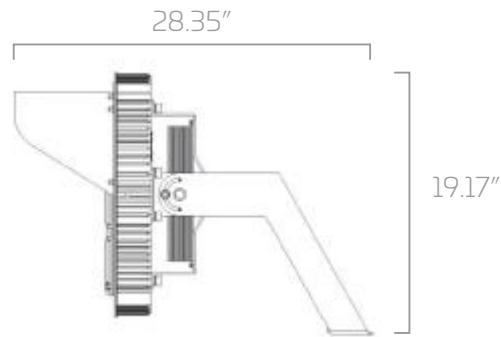
Model Name	AL-XE-HB-240-8-50-U
Input Wattage (W)	240W
Voltage (V)	U (120-277V) / HV (480V)
Lumen Output (lm)	32,900 lm
Efficacy (lm/W)	137 lm/W
Color Rendering Index	80+ CRI
Color Temperature	40 (4000K) / 50 (5000K)
Dimming Compatible	Yes
Replacement Wattage	400W - 750W HID
Longevity (L70)	100,000 Hours
Certifications/Listings	ETL, DLC, IP67

ROUND LED HIGH BAYS - IP67 RATED (Wash Down Fixtures)

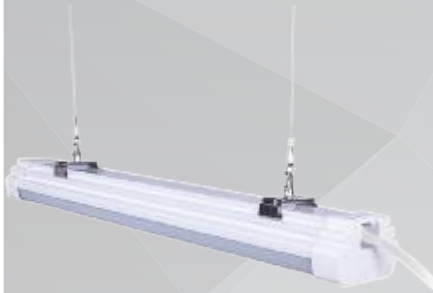
LED ROUND HIGH BAYS & HIGH MAST FLOOD LIGHTS



Model Name	AL-EI-HIL-72-7-50-U	AL-EI-HIL-96-7-50-U
Input Wattage (W)	450W	600W
Voltage (V)	U (120-277V) / HV (480V)	U (120-277V) / HV (480V)
Lumen Output (lm)	72,000 lm	96,000 lm
Efficacy (lm/W)	160 lm/W	160 lm/W
Color Rendering Index	70+ CRI	70+ CRI
Color Temperature	40 (4000K) / 50 (5000K)	40 (4000K) / 50 (5000K)
Dimming Compatible	Yes	Yes
Replacement Wattage	1000W	1500W
Longevity (L70)	+50,000 hours	+50,000 hours
Certifications/Listings	ETL, DLC Premium, FCC, RoHS, IP65	ETL, DLC Premium, FCC, RoHS, IP65



GREAT FOR STADIUMS AND SPORTS PARKS



Model Name	AL-SP-TP-2-20-50-U	AL-SP-TP-4-36-50-U
Input Wattage (W)	20W	36W
Voltage (V)	U (120-277V)	U (120-277V) / HV (480V)
Lumen Output (lm)	2,400 lm	4,600 lm
Efficacy (lm/W)	115 lm/W	122 lm/W
Color Rendering Index	80+ CRI	80+ CRI
Color Temperature	40 (4000K) / 50 (5000K)	40 (4000K) / 50 (5000K)
Dimming Compatible	Yes	Yes
Longevity (L70)	200,000 hours	200,000 hours
Certifications/Listings	UL, DLC	UL, DLC

Model Name	AL-SP-TP-4-42-50-U	AL-SP-TP-8-70-50-U
Input Wattage (W)	42W	70W
Voltage (V)	U (120-277V)	U (120-277V) / HV (480V)
Lumen Output (lm)	5,300 lm	8,400 lm
Efficacy (lm/W)	118 lm/W	113 lm/W
Color Rendering Index	80+ CRI	80+ CRI
Color Temperature	40 (4000K) / 50 (5000K)	40 (4000K) / 50 (5000K)
Dimming Compatible	Yes	Yes
Longevity (L70)	200,000 hours	200,000 hours
Certifications/Listings	UL, DLC	UL, DLC

LED VAPOR TIGHT LIGHTS

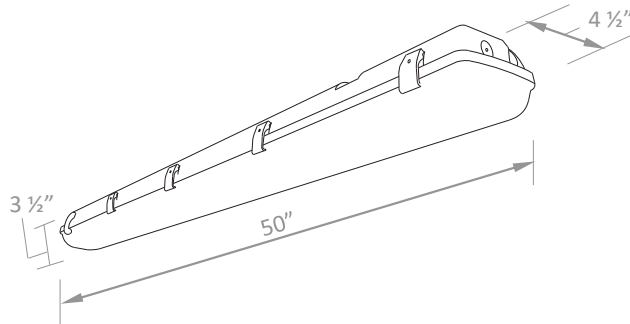


LED VAPOR TIGHT LIGHTS



Model Name	<u>AL-BE-VT-40-8-50-U</u>	<u>AL-LU-VT2-42-50-U-CL</u>
Input Wattage (W)	40W	42W
Voltage (V)	U (120-277V) / HV (347-480)	U (120-277V) / HV (480V)
Lumen Output (lm)	5,200 lm	5,882 lm
Efficacy (lm/W)	130 lm/W	142 lm/W
Color Rendering Index	80+ CRI	80+ CRI
Color Temperature	40 (4000K) / 50 (5000K)	40 (4000K) / 50 (5000K)
Dimming Compatible	Yes	Yes
Dimensions	4 feet narrow	2 feet narrow
Lens Cover		CL Clear Lens / FL Frosted Lens
Longevity (L70)	89,000 hours	295,000 hours
Certifications/Listings	UL, DLC	DLC, ETL, RoHS

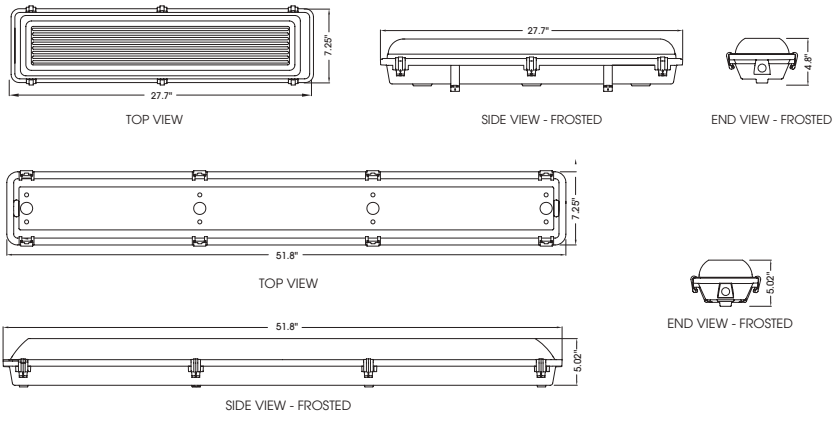
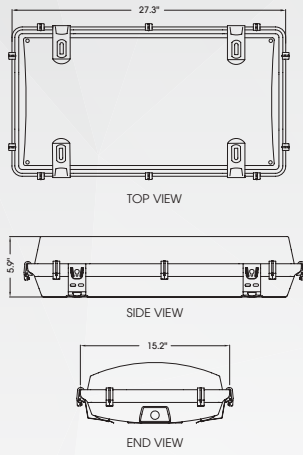
Model Name	<u>AL-LU-VT2-76-50-U-CL</u>	<u>AL-LU-VT2-83-50-U-CL</u>
Input Wattage (W)	76W	83W
Voltage (V)	U (120-277V) / HV (480V)	U (120-277V) / HV (480V)
Lumen Output (lm)	12,065 lm	12,112 lm
Efficacy (lm/W)	158 lm/W	147 lm/W
Color Rendering Index	80+ CRI	80+ CRI
Color Temperature	40 (4000K) / 50 (5000K)	40 (4000K) / 50 (5000K)
Dimming Compatible	Yes	Yes
Dimensions	2 feet narrow	4 feet narrow
Lens Cover	CL Clear Lens / FL Frosted Lens	CL Clear Lens / FL Frosted Lens
Longevity (L70)	256,000 hours	235,000 hours
Certifications/Listings	DLC, ETL, RoHS	DLC, ETL, RoHS





Model Name	AL-LU-VT2-111-50-U-CL	AL-LU-VT2-146-50-U-CL
Input Wattage (W)	111W	146W
Voltage (V)	U (120-277V) / HV (347-480)	U (120-277V) / HV (347-480)
Lumen Output (lm)	18,275 lm	24,419 lm
Efficacy (lm/W)	163 lm/W	168 lm/W
Color Rendering Index	80+ CRI	80+ CRI
Color Temperature	40 (4000K) / 50 (5000K)	40 (4000K) / 50 (5000K)
Dimming Compatible	Yes	Yes
Dimensions	2 feet wide	2 feet wide
Lens Cover	CL Clear Lens / FL Frosted Lens	CL Clear Lens / FL Frosted Lens
Longevity (L70)	235,000 hours	235,000 hours
Certifications/Listings	DLC, ETL, RoHS	DLC, ETL, RoHS

Model Name	AL-LU-VT2-149-50-U-CL	AL-LU-VT2-189-50-U-CL
Input Wattage (W)	149W	189W
Voltage (V)	U (120-277V) / HV (347-480)	U (120-277V) / HV (347-480)
Lumen Output (lm)	24,355 lm	30,782 lm
Efficacy (lm/W)	163 lm/W	163 lm/W
Color Rendering Index	80+ CRI	80+ CRI
Color Temperature	40 (4000K) / 50 (5000K)	40 (4000K) / 50 (5000K)
Dimming Compatible	Yes	Yes
Dimensions	2 feet wide	2 feet wide
Lens Cover	CL Clear Lens / FL Frosted Lens	CL Clear Lens / FL Frosted Lens
Longevity (L70)	256,000 hours	274,000 hours
Certifications/Listings	DLC, ETL, RoHS	DLC, ETL, RoHS

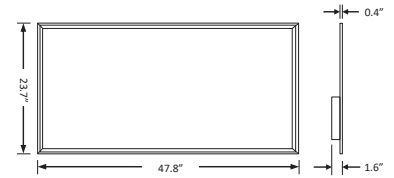
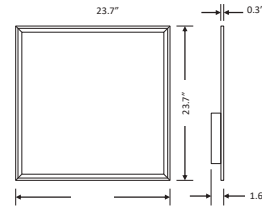
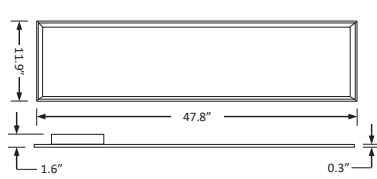


LED FLAT PANELS



STANDARD FLAT PANEL

Model Name	AL-BE-1X4F-40-50-U	AL-BE-2X2F-40-50-U	AL-BE-2X4F-70-50-U
Input Wattage (W)	40W	39W	70W
Voltage (V)	U (120-277V)	U (120-277V)	U (120-277V)
Lumen Output (lm)	4,208 lm	4,190 lm	7,930 lm
Efficacy (lm/W)	103 lm/W	104 lm/W	112 lm/W
Color Rendering Index	80+ CRI	80+ CRI	80+ CRI
Color Temperature	40 (4000K) / 50 (5000K)	40 (4000K) / 50 (5000K)	40 (4000K) / 50 (5000K)
Dimming Compatible	Yes	Yes	Yes
Longevity (L70)	+96,000 hours	+96,000 hours	+96,000 hours
Certifications/Listings	UL, DLC, FCC, DAMP, IC, RoHS	UL, DLC, FCC, DAMP, IC, RoHS	UL, DLC, FCC, DAMP, IC, RoHS



PREMIUM FLAT PANEL

Model Name	AL-BE-1X4F-37-50-U	AL-BE-2X2F-32-50-U	AL-BE-2X4F-35-50-U
Input Wattage (W)	37W	32W	35W
Voltage (V)	U (120-277V)	U (120-277V)	U (120-277V)
Lumen Output (lm)	4,730 lm	4,111 lm	4,924 lm
Efficacy (lm/W)	128 lm/W	128 lm/W	141 lm/W
Color Rendering Index	80+ CRI	80+ CRI	80+ CRI
Color Temperature	40 (4000K) / 50 (5000K)	40 (4000K) / 50 (5000K)	40 (4000K) / 50 (5000K)
Dimming Compatible	Yes	Yes	Yes
Longevity (L70)	+81,000 hours	+81,000 hours	+188,000 hours
Certifications/Listings	UL, DLC, FCC, DAMP, IC, RoHS	UL, DLC, FCC, DAMP, IC, RoHS	UL, DLC, FCC, DAMP, IC, RoHS





Model Name	AL-BE-2X2-CB-42-50-U
Input Wattage (W)	42W
Voltage (V)	120-277V
Lumen Output (lm)	4,576 lm
Efficacy (lm/W)	109 lm/W
Color Rendering Index	80+ CRI
Color Temperature	40 (4000K) / 50 (5000K)
Dimming Compatible	Yes
Replacement Wattage	-
Longevity (L70)	122,000 hours
Certifications/Listings	cULus, DLC

Model Name	AL-BE-2X4-CB-52-50-U
Input Wattage (W)	52W
Voltage (V)	120-277V
Lumen Output (lm)	6,318 lm
Efficacy (lm/W)	122 lm/W
Color Rendering Index	80+ CRI
Color Temperature	40 (4000K) / 50 (5000K)
Dimming Compatible	Yes
Replacement Wattage	-
Longevity (L70)	122,000 hours
Certifications/Listings	cULus, DLC

Model Name	AL-BE-WR-42-8-50-U
Input Wattage (W)	42W
Voltage (V)	120-277V
Lumen Output (lm)	4,000 lm
Efficacy (lm/W)	95 lm/W
Color Rendering Index	80+ CRI
Color Temperature	40 (4000K) / 50 (5000K)
Dimming Compatible	Yes
Replacement Wattage	-
Longevity (L70)	122,000 hours
Certifications/Listings	cULus, DLC



LED CENTER BASKET & WRAP AROUND

LED RETROFIT DOWNLIGHTS



GIMBAL



RECESSED



EDGE



Model Name AL- NI-6-C-R-30

Input Wattage (W) 7.5W - 14.5W

Voltage (V) 120V

Lumen Output (lm) 530 lm - 1,291 lm

Efficacy (lm/W) Varies

Color Rendering Index 90+ CRI

Color Temperature **30** (3000K) / **40** (4000K) / **50** (5000K)

Dimming Compatible Yes

Longevity (L70) 50,000 hours

Certifications/Listings ETL, UL, T24, Energy Star

Size (Inches) **4** (4 inches) / **6** (6 inches)

Style **R** (Recessed) / **E** (Edge) / **G** (Gimbal*)

Shape **C** (Circular) / **S** (Square)

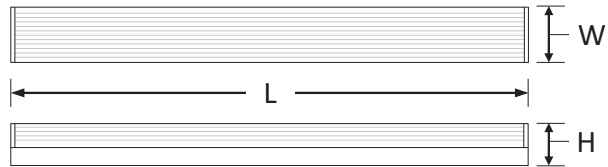
*Circular Only





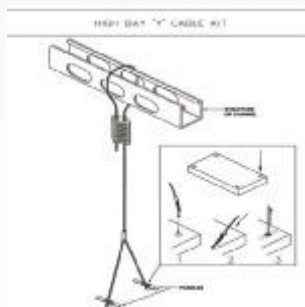
Model Name	AL-BE-IS-2-20-50-U	AL-BE-IS-3-25-50-U
Input Wattage (W)	20W	25W
Voltage (V)	U (120-277V)	U (120-277V)
Lumen Output (lm)	2,400 lm	3,300 lm
Efficacy (lm/W)	120 lm/W	132 lm/W
Color Rendering Index	80+ CRI	80+ CRI
Color Temperature	40 (4000K) / 50 (5000K)	40 (4000K) / 50 (5000K)
Dimming Compatible	Yes	Yes
Dimensions	2 feet	3 feet
Longevity (L70)	122,000 hours	122,000 hours
Certifications/Listings	cULus, DLC	cULus, DLC

Model Name	AL-BE-IS-4-32-50-U	AL-BE-IS-8-65-50-U
Input Wattage (W)	32W	65W
Voltage (V)	U (120-277V)	U (120-277V)
Lumen Output (lm)	4,300 lm	8,600 lm
Efficacy (lm/W)	134 lm/W	132 lm/W
Color Rendering Index	80+ CRI	80+ CRI
Color Temperature	40 (4000K) / 50 (5000K)	40 (4000K) / 50 (5000K)
Dimming Compatible	Yes	Yes
Dimensions	4 feet	8 feet
Longevity (L70)	122,000 hours	122,000 hours
Certifications/Listings	cULus, DLC	cULus, DLC



	LED2FT	LED3FT	LED4FT	LED8FT
Length – L	26"	37"	48"	96"
Width – W	3 3/8"	3 3/8"	3 3/8"	3 3/8"
Height – H	3 1/2"	3 1/2"	3 1/2"	3 1/2"
Weight (lbs.)	4.1	5.1	6.2	13.8





Occupancy Sensors and Photocells

Description	Abaco Part #
Wall motion detection occupancy sensor	AL-DWOS-J
Ceiling occupancy sensor 360° Line Voltage	AL-MPC-50
High Bay Occupancy Sensor 120 - 277V AC	AL-LSXR-650
High Bay Occupancy Sensor 360° 347 - 480V AC	AL-LSXR-650-HVOLT
Outdoor / Wet Location Occupancy Sensor 120 - 277V	AL-SBOR-6
Outdoor / Wet Location Occupancy Sensor 347-480V AC	AL-SBOR-6-HVOLT
Photoelectric Control with adjustment swivel 120-277V AC	AL-SFT305
Photoelectric Control with adjustment swivel 347-480V AC	AL-SFT19

Emergency LED Drivers

Description	Abaco Part #
5.0 W Emergency LED Driver 800 lumens	AL-BE-DR-800
7.8 W Emergency LED Driver 1200 lumens	AL-BE-DR-1200
10.7 W Emergency LED Driver 1600 lumens	AL-BE-DR-1600
13.7 W Emergency LED Driver 2000 lumens	AL-BE-DR-2000
17.0 W Emergency LED Driver 2400 lumens	AL-BE-DR-2400

LED Emergency Back-Up Driver Kit 12W Output | 120-277V Input AL-EMRG-LED-12-1200-K1

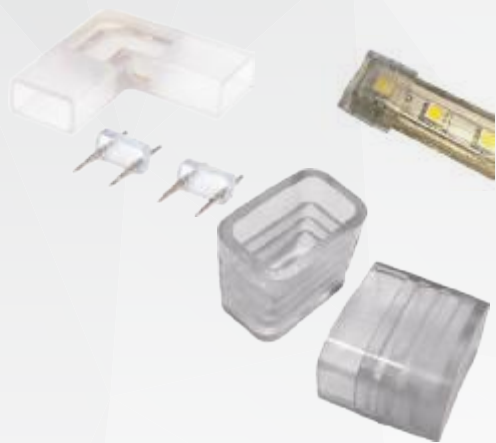
Self-contained emergency light solution. Contains driver, LED board, and test button. Can be mounted in virtually any fixture.

Sockets & Adapters

Description	Abaco Part #
T5 Twist Sockets	T5-Twist-Sockets
T8 Twist Sockets	T8-Twist-Sockets
Mogul to Medium Base Adapter	MOG-2-MED

High Bay Cable Kits

Part #	AL-CABKIT-120-18Y- HNL	AL-CABKIT-120-18Y- PAD
# of Cables	1 Pair	1 Pair
Cable Length	120"	120"
Hook Type	Hook-n-Loop	Hook-n-Paddle



Model Name	AL-LUM-RL-__
Input Wattage (W)	4W per foot
Voltage (V)	120 - 277V
Lumen Output (lm)	440 lm
Efficacy (lm/W)	100 lm/Ft
Color Rendering Index	90+ CRI
Color Temperature	3500K (35K) / 5500K (55K) / RGB (RGB)
Dimming Compatible	N/A
Longevity (L70)	50,000 hours
Certifications/Listings	CSA, IP65, DLC

Model Name	AL-LUM-RL-__
Input Wattage (W)	4W per foot
Voltage (V)	120 - 277V
Lumen Output (lm)	440 lm
Efficacy (lm/W)	100 lm/Ft
Color Rendering Index	90+ CRI
Light Color	Red (RD) / Green (GN) / Blue (BL)
Dimming Compatible	0-10V
Longevity (L70)	50,000 hours
Certifications/Listings	CSA, IP65, DLC

Model Name	AL-LUM-RL-PC
Item Name	Power Cable

Model Name	AL-LUM-RL-EC
Item Name	End Caps (Set of 2)

Model Name	AL-LUM-RL-MC
Item Name	Mounting Clips (Set of 10)

Product Accessories

Model Name	AL-LUM-RL-IC12
Item Name	12" Interconnector Cable

Model Name	AL-LUM-RL-IC20
Item Name	20" Interconnector Cable

Model Name	AL-LUM-RL-IC40
Item Name	40" Interconnector Cable



Slim & Low-Profile LED Exit Signs

AL-EZXTEU2-RW
Red Letters | White Housing

AL-EZXTEU2-GW
Green Letters | White Housing

AL-EZXTEU2-RB
Red Letters | Black Housing

AL-EZXTEU2-GB
Green Letters | Black Housing

LED Cast Aluminum Exit Signs

AL-KXTE1-RBA
Red Letters | Black Housing
Aluminum Face

AL-KXTE2-RBA
Red Letters | Black Housing
Aluminum Face

AL-KXTE1-GBA
Green Letters | Black Housing
Aluminum Face

AL-KXTE2-GBA
Green Letters | Black Housing
Aluminum Face

*Battery back-up(-EM), Other colors available

LED Cast Aluminum Exit Signs

AL-ELXTEU2-RW-M
Red Letters | White Housing
Mirror Face

AL-ELXTE1-RW-C*
Red Letters | White Housing
Clear Face

AL-ELXTEU2-GW-M
Red Letters | Black Housing
Mirror Face

AL-ELXTE1-GW-C*
Red Letters | Black Housing
Clear Face

*Clear can only be on Single Face units, Black housing available for battery back-up add "-EM"

LED Emergency Lights

AL-R1-LED
LED Emergency Light - White

AL-R1B-LED
LED Emergency Light - Black

Heavy-Duty LED Emergency Lights

AL-LEDSDXR-6-27
6V - 27W LED Emergency Light
White Housing

AL-DXR-12-100
12V - 100W Incandescent Emergency Light
White Housing

Wet Location LED Emergency Lights

AL-LEDTFX-2
LED heads | Wet Location
Remote Capable

AL-TFX-2-RC
Halogen heads | Wet Location
Remote Capable



LED Exit with LED Emergency Lights Combo

AL-LEDCXTEU2-RW
Red Letters | White Housing

AL-LEDCXTEU2-GW
Green Letters | White Housing

AL-LEDCXTEU2-RB
Red Letters | Black Housing

AL-LEDCXTEU2-GB
Green Letters | Black Housing



LED Exit & Emergency Combo with LED Light Bar

AL-CLPU2-RW
Red Letters | White Housing

AL-CLPU2-GW
Green Letters | White Housing

AL-CLPU2-RB
Red Letters | Black Housing

AL-CLPU2-GB
Green Letters | Black Housing



Wet Location All LED Exit & Emergency Combo

AL-CWLEZXTE-RW
Red Letters|White Housing

AL-CWLEZXTE-RB
Red Letters|Black Housing

AL-CWLEZXTE-GW
Green Letters|White Housing

AL-CWLEZXTE-GB
Green Letters|Black Housing



LED Wet location Exit units

AL-WLXTE-R
Red Letters

AL-WLXTE-G
Green Letters



Wet Location Exit and Emergency Combination Units

AL-CWLXTE-R
Red Letters - Combo Unit

AL-CWLXTE-G
Green Letters - Combo Unit

Accessories

Polycarbonate Vandal/Environmental Shield Guards. Available in multiple sizes, please call for more details.





LED Exit Sign Class I - Division I

AL-RL-XX-C1D1-1-R-120/277-WP

Red Letters | Gray Housing

Maintenance free LED light source with 25+ year light expectancy
 3-hour emergency operation standard with NiCad battery backup
 Acrylic Edge-lit sign, single or double face
 Available in wall / pendant or end mount configurations



LED Emergency Light with 2 LED Heads, Class I - Division I

AL-RL-XL-C1D1-2-U

LED Emergency Light - Gray

Two high lumen spot lights can be adjusted in horizontal and vertical planes
 Unit can power up to 2 (optional) remote spot lights
 Field replaceable LED circuit boards and drivers with quick disconnects
 Emergency battery back-up integral to luminaire (no additional enclosure required)
 3-hour emergency operation



LED Exit & Emergency Combo with 2 LED Heads, Class I - Division I

AL-RL-XH-C1D1-1-R-120-277-2

Red Letters | Gray Housing

Two high lumen spot lights can be adjusted in horizontal and vertical planes
 Independent battery backup system for exit signs and spotlights
 Unit can power up to 2 (optional) remote spot lights
 Emergency battery back-up integral to sign (no additional enclosure required)
 3-hour emergency operation
 Edge-lit sign





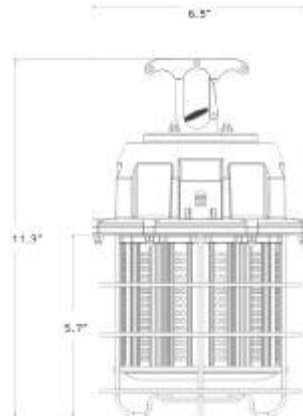
Model Name	AL-RO-TL2-60-8-50-U	AL-RO-TL2-100-8-50-U
Input Wattage (W)	60W	100W
Voltage (V)	U (120-277V)	U (120-277V)
Lumen Output (lm)	7,800 lm	12,000 lm
Efficacy (lm/W)	130 lm/W	120 lm/W
Color Rendering Index	80+ CRI	80+ CRI
Color Temperature	50 (5000K)	50 (5000K)
Dimming Compatible	Yes	Yes
Replacement Wattage	250 W Halogen Lamp	500W Halogen Lamp
Longevity (L70)	50,000 hours	50,000 hours
Certifications/Listings	UL, DLC, IP67	UL, DLC, IP67



Model Name	AL-LDL-16W	AL-LDL-16W-ARM
Input Wattage (W)	16W	16W
Voltage (V)	U (120-277V)	U (120-277V)
Lumen Output (lm)	1,400 lm	1,400 lm
Efficacy (lm/W)	87 lm/W	87 lm/W
Color Rendering Index	80+ CRI	80+ CRI
Color Temperature	50 (5000K)	50 (5000K)
Dimming Compatible	Yes	Yes
Replacement Wattage	100W Incandescent	100W Incandescent
Longevity (L70)	50,000 hours	50,000 hours
Certifications/Listings	UL, DLC, IP67	UL, DLC, IP67



- 40" articulated arm
- 18/3 SJTOW 16' cord
- IP67Rated



New **SAF-TLED** Series

With Patented Thermal Break Technology

27W LED T5HO BULB



Model Name	L54T5HO-27-8-50-BC-A
Input Wattage (W)	27W
Voltage (V)	120-277V
Lumen Output (lm)	3,800 lm
Efficacy (lm/W)	140 lm/W
Color Rendering Index	80+ CRI
Color Temperature	50 (5000K)
Dimming Compatible	No
Replacement Wattage	4' Linear T5HO bulbs
Longevity (L70)	50,000 hours
Certifications/Listings	UL, DLC

New SAF-TLED™ linear T5HO and T8 lamps offer patented thermal break technology that ensures safer installation and eliminates potential fire hazard.

Designed to work on your existing electronic ballasts, SAF-TLED™ lamps are super energy-efficient, long life and carry a five-year warranty.

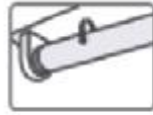
Start saving today with confidence using Abaco Lighting exclusive SAF-TLED™ lamps. Full product specification information can be found at www.abacolighting.com.

Easy Installation

Ensure T5HO / T8 sockets are in good condition prior to installing T5HO / T8 LED lamps



1. Turn Power Off



2. Remove Fluorescent Lamp



3. Install LED Lamp



4. Turn Power Back On

14W LED T8 BULB



Model Name	L32T8-14-8-50-BC-A
Input Wattage (W)	14W
Voltage (V)	120-277V
Lumen Output (lm)	2,100 lm
Efficacy (lm/W)	150 lm/W
Color Rendering Index	80+ CRI
Color Temperature	40 (4000K) / 50 (5000K)
Dimming Compatible	No
Replacement Wattage	4' Linear T8 bulbs
Longevity (L70)	50,000 hours
Certifications/Listings	UL, DLC

- Exclusive thermal break technology prevents tubes from overheating.
- T8 saves up to \$108 and T5 up to \$162 in electricity over life.
- No mercury. ROHS compliant.
- DLC listed for utility rebates.
- High lumen efficiency and excellent color rendition.

- Replaces existing fluorescent lamps without removing ballast or rewiring.
- Long life. 50,000 hours. Five-year warranty.
- Suitable for damp locations.
- Acrylic diffuser. No glass. Ideal for food grade applications.
- Use with occupancy sensors will not shorten rated life.



Single Base



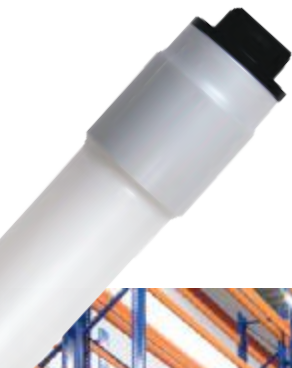
HO (R17d) Base
FA8



Medium
Bi Pin Base
(G13)

LED LINEAR TUBES

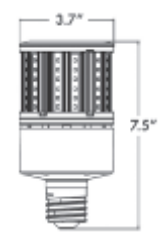
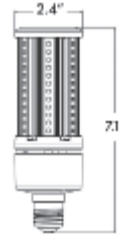
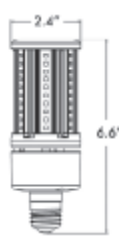
Model Name	L96T8-38-8-50-BC-A	L96T8-43-8-50-HW-A	L17T8-10-8-50-BC-A	L32T8-12-8-50-BC-A
Input Wattage (W)	38W	43W	10W	12W
Voltage (V)	U (120-277V)	U (120-277V)	U (120-277V)	U (120-277V)
Lumen Output (lm)	4,400 lm	5,500 lm	1,000 lm	1,450 lm
Efficacy (lm/W)	116 lm/W	128 lm/W	100 lm/W	121 lm/W
Color Rendering Index	80+ CRI	80+ CRI	80+ CRI	80+ CRI
Color Temperature	40 (4000K) / 50 (5000K)	40 (4000K) / 50 (5000K)	40 (4000K) / 50 (5000K)	40 (4000K) / 50 (5000K)
Dimming Compatible	No	No	No	No
Replacement Wattage	8' Linear T12 Bulbs	8' Linear T12 HO Bulbs	2' Linear T8 Bulbs	3' Linear T8 Bulbs
Longevity (L70)	50,000 Hours	50,000 Hours	50,000 Hours	50,000 Hours
Certifications/Listings	UL, DLC, RoHS, FCC	UL, DLC, RoHS, FCC	UL, DLC, RoHS, FCC	UL, DLC, RoHS, FCC



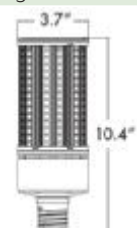
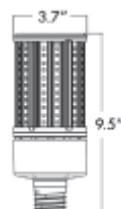
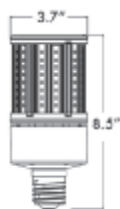
LED CORN LIGHTS



Model Name	<u>AL-CCV-16-8-50-MED</u>	<u>AL-CCV-22-8-50-MED</u>	<u>AL-CCV-27-8-50-MED</u>
Input Wattage (W)	16W	22W	27W
Voltage (V)	U (120-277V)	U (120-277V)	U (120-277V)
Lumen Output (lm)	2,080 lm	2,860 lm	3,510 lm
Efficacy (lm/W)	130 lm/W	130 lm/W	130 lm/W
Color Rendering Index	80+ CRI	80+ CRI	80+ CRI
Color Temperature	50 (5000K)	50 (5000K)	50 (5000K)
Dimming Compatible	Yes	Yes	Yes
Replacement Wattage	70W - 100W HID	100W - 175W HID	250W HID
Longevity (L70)	+50,000 hours	+50,000 hours	+50,000 hours
Certifications/Listings	UL, DLC, IP64	UL, DLC, IP4	UL, DLC, IP4
Base Configuration	MOG (Mogul) / MED (Medium)	MOG (Mogul) / MED (Medium)	MOG (Mogul) / MED (Medium)



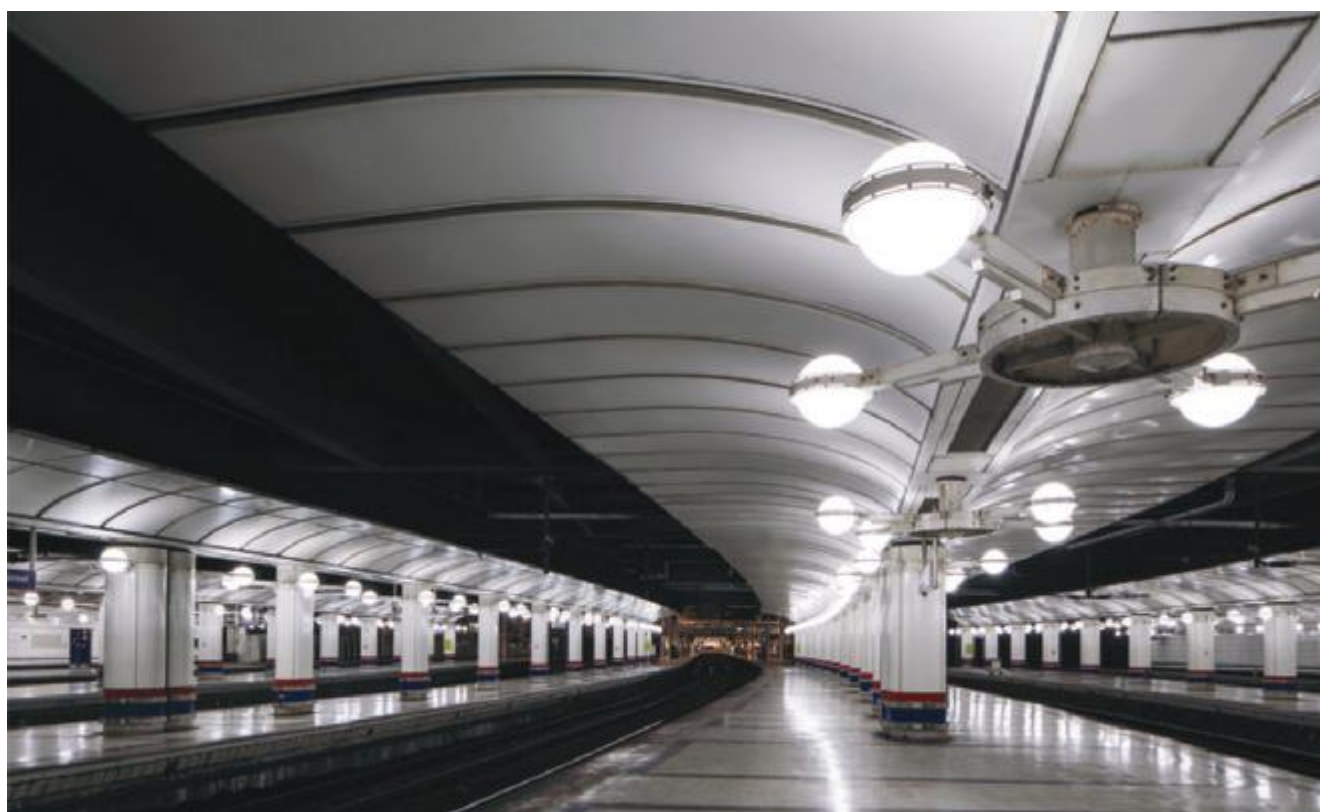
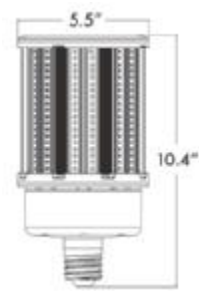
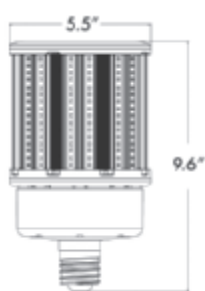
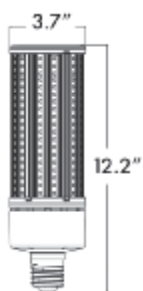
Model Name	<u>AL-CCV-36-8-50-MED</u>	<u>AL-CCV-45-8-50-MED</u>	<u>AL-CCV-54-8-50-MED</u>
Input Wattage (W)	36W	45W	54W
Voltage (V)	U (120-277V)	U (120-277V)	U (120-277V)
Lumen Output (lm)	4,680 lm	5,850 lm	7,020 lm
Efficacy (lm/W)	130 lm/W	130 lm/W	130 lm/W
Color Rendering Index	80+ CRI	80+ CRI	80+ CRI
Color Temperature	50 (5000K)	50 (5000K)	50 (5000K)
Dimming Compatible	Yes	Yes	Yes
Replacement Wattage	175W - 250W HID	250W HID	250W HID
Longevity (L70)	+50,000 hours	+50,000 hours	+50,000 hours
Certifications/Listings	UL, DLC, IP64	UL, DLC, IP4	UL, DLC, IP4
Base Configuration	MOG (Mogul) / MED (Medium)	MOG (Mogul) / MED (Medium)	MOG (Mogul) / MED (Medium)





LED CORN LIGHTS

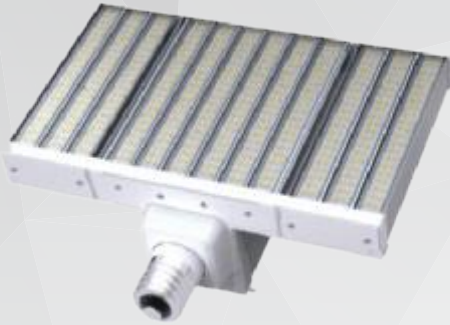
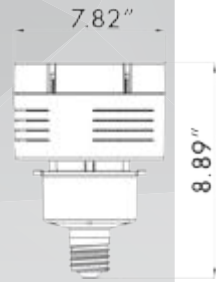
Model Name	AL-CCV-75-8-50-MOG	AL-CCV-100-8-50-MOG	AL-CCV-120-8-50-MOG
Input Wattage (W)	75W	100W	120W
Voltage (V)	U (120-277V)	U (120-277V)	U (120-277V)
Lumen Output (lm)	2,080 lm	2,860 lm	3,510 lm
Efficacy (lm/W)	130 lm/W	130 lm/W	130 lm/W
Color Rendering Index	80+ CRI	80+ CRI	80+ CRI
Color Temperature	50 (5000K)	50 (5000K)	50 (5000K)
Dimming Compatible	Yes	Yes	Yes
Replacement Wattage	70W - 100W HID	100W - 175W HID	250W HID
Longevity (L70)	+50,000 hours	+50,000 hours	+50,000 hours
Certifications/Listings	UL, DLC, IP64	UL, DLC, IP4	UL, DLC, IP4
Base Configuration	MOG (Mogul)	MOG (Mogul)	MOG (Mogul)



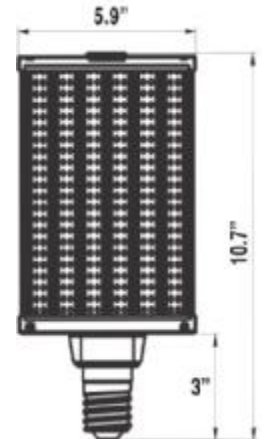
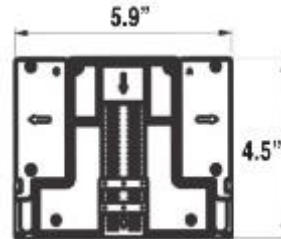
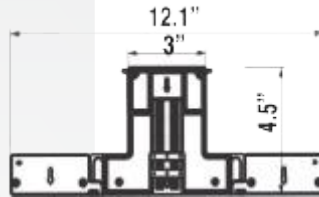
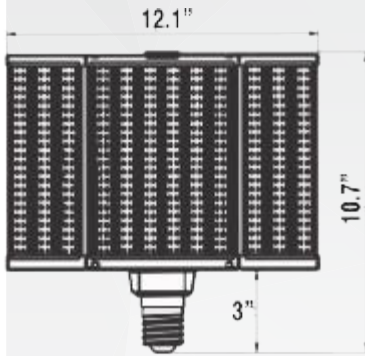
LED RETRO-FIT LAMPS



Dimensional Drawing



Unfolded Dimensional Drawing



Folded Dimensional Drawing

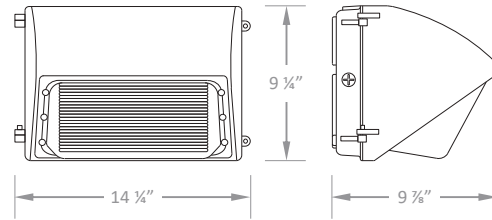
Model Name AL-RO-RKHB2-120-50-U-MOG

Input Wattage (W)	120W
Voltage (V)	U (120-277V)
Lumen Output (lm)	18,000 lm
Efficacy (lm/W)	150 lm/W
Color Rendering Index	80+ CRI
Color Temperature	50 (5000K)
Dimming Compatible	No
Replacement Wattage	400W HID
Longevity (L70)	50,000 hours
Certifications/Listings	cULus, DLC

Model Name AL-RO-RKFL2-100-50-U-MOG

Input Wattage (W)	100W
Voltage (V)	U (120-277V)
Lumen Output (lm)	11,250 lm -15,000 lm
Efficacy (lm/W)	150 lm/W
Color Rendering Index	80+ CRI
Color Temperature	50 (5000K)
Dimming Compatible	No
Replacement Wattage	400W HID
Longevity (L70)	50,000 hours
Certifications/Listings	cULus, DLC





Model Name	AL-BE-WP2-36-8-50-U	AL-BE-WP2-57-8-50-U	AL-BE-WP2-77-8-50-U
Input Wattage (W)	36W	57W	77W
Voltage (V)	U (120-277V)	U (120-277V)	U (120-277V)
Lumen Output (lm)	4,726 lm	7,728 lm	9,680 lm
Efficacy (lm/W)	131 lm/W	136 lm/W	126 lm/W
Color Rendering Index	80+ CRI	80+ CRI	80+ CRI
Color Temperature	40 (4000K) / 50 (5000K)	40 (4000K) / 50 (5000K)	40 (4000K) / 50 (5000K)
Dimming Compatible	No	No	No
Replacement Wattage	100 - 175 HID	175 - 200 HID	250 - 400 HID
Longevity (L70)	141,000 hours	141,000 hours	141,000 hours
Certifications/Listings	UL, DLC, IP65	UL, DLC, IP65	UL, DLC, IP65



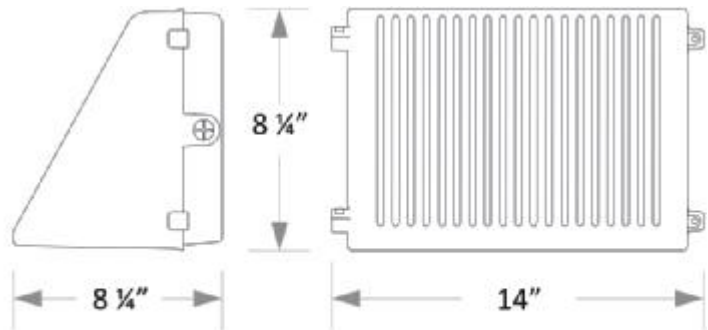
Model Name	AL-BE-WP2-101-8-50-U	AL-BE-WP2-119-8-50-U
Input Wattage (W)	101W	119W
Voltage (V)	U (120-277V)	U (120-277V)
Lumen Output (lm)	13,295 lm	15,787 lm
Efficacy (lm/W)	133 lm/W	133 lm/W
Color Rendering Index	80+ CRI	80+ CRI
Color Temperature	40 (4000K) / 50 (5000K)	40 (4000K) / 50 (5000K)
Dimming Compatible	No	No
Replacement Wattage	400 HID	400 HID
Longevity (L70)	141,000 hours	141,000 hours
Certifications/Listings	UL, DLC, IP65	UL, DLC, IP65

LED WALL PACKS



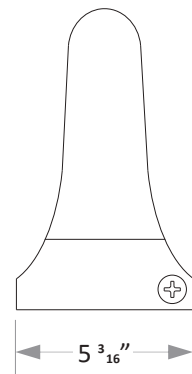
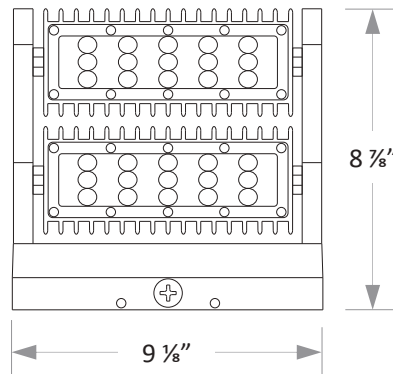
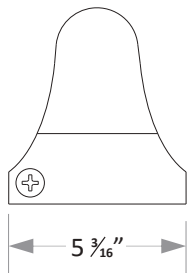
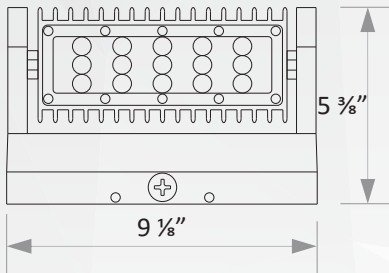
Model Name	AL-BE-WPF-47-8-50-U
Input Wattage (W)	47W
Voltage (V)	U (120-277V)
Lumen Output (lm)	5,800 lm
Efficacy (lm/W)	123 lm/W
Color Rendering Index	80+ CRI
Color Temperature	40 (4000K) / 50 (5000K)
Dimming Compatible	No
Replacement Wattage	175W - 250W HID
Longevity (L70)	76,000 hours
Certifications/Listings	cULus, DLC

Model Name	AL-BE-WPF-78-8-50-U
Input Wattage (W)	78W
Voltage (V)	U (120-277V)
Lumen Output (lm)	9,100 lm
Efficacy (lm/W)	117 lm/W
Color Rendering Index	80+ CRI
Color Temperature	40 (4000K) / 50 (5000K)
Dimming Compatible	No
Replacement Wattage	250W - 400W HID
Longevity (L70)	76,000 hours
Certifications/Listings	cULus, DLC



Weight: 6.8 lb.





Model Name	AL-BE-WPA-25-7-50-U	AL-BE-WPA-40-7-50-U
Input Wattage (W)	25W	40W
Voltage (V)	U (120-277V)	U (120-277V)
Lumen Output (lm)	3,280 lm	5,131 lm
Efficacy (lm/W)	131 lm/W	128 lm/W
Color Rendering Index	70+ CRI	70+ CRI
Color Temperature	40 (4000K) / 50 (5000K)	40 (4000K) / 50 (5000K)
Dimming Compatible	No	No
Replacement Wattage	175 W HID	250 W HID
Longevity (L70)	61,000 hours	61,000 hours
Certifications/Listings	UL, DLC, IP65	UL, DLC, IP65

Model Name	AL-BE-WPA-60-7-50-U	AL-BE-WPA-80-7-50-U
Input Wattage (W)	61W	79W
Voltage (V)	U (120-277V)	U (120-277V)
Lumen Output (lm)	7,854 lm	10,598 lm
Efficacy (lm/W)	129 lm/W	134 lm/W
Color Rendering Index	70+ CRI	70+ CRI
Color Temperature	40 (4000K) / 50 (5000K)	40 (4000K) / 50 (5000K)
Dimming Compatible	No	No
Replacement Wattage	250W - 400W HID	400W HID
Longevity (L70)	61,000 hours	61,000 hours
Certifications/Listings	UL, DLC, IP65	UL, DLC, IP65

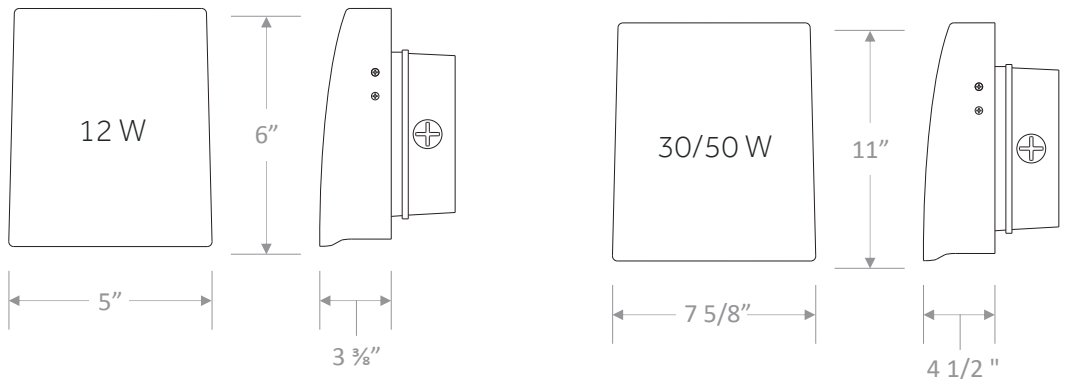
ADJUSTABLE LED WALL PACKS



LOW PROFILE LED WALL PACKS

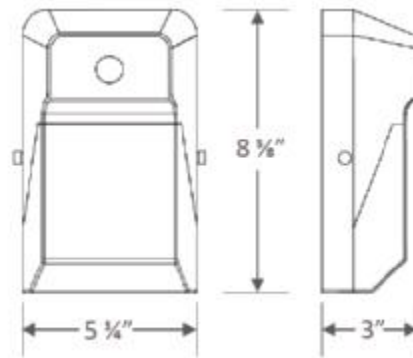
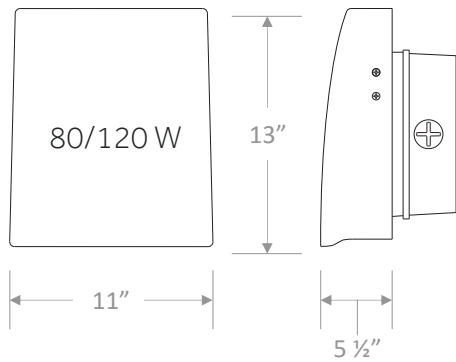


Model Name	AL-BE-WPC-12-8-50-U	AL-BE-WPC-30-8-50-U	AL-BE-WPC-50-8-50-U
Input Wattage (W)	12W	28W	49W
Voltage (V)	U (120-277V)	U (120-277V)	U (120-277V)
Lumen Output (lm)	1,321 lm	3,298 lm	5,287 lm
Efficacy (lm/W)	110 lm/W	118 lm/W	108 lm/W
Color Rendering Index	80+ CRI	80+ CRI	80+ CRI
Color Temperature	40 (4000K) / 50 (5000K)	40 (4000K) / 50 (5000K)	40 (4000K) / 50 (5000K)
Dimming Compatible	No	No	No
Replacement Wattage	100 W HID	100 W HID	100 W HID
Longevity (L70)	69,000 hours	69,000 hours	69,000 hours
Certifications/Listings	UL, DLC, IP65	UL, DLC, IP65	UL, DLC, IP65



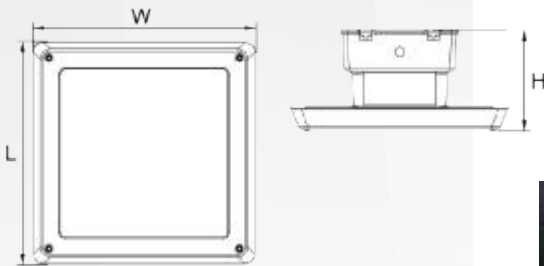
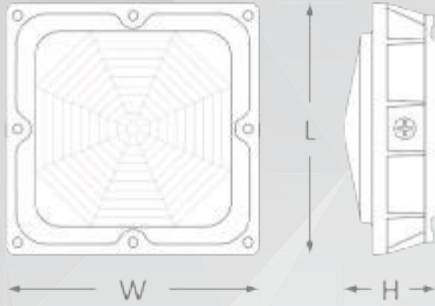


Model Name	AL-BE-WPC-80-8-50-U	AL-BE-WPC-120-8-50-U	AL-BE-WPS-20-8-50-U
Input Wattage (W)	80W	120W	20W
Voltage (V)	U (120-277V)	U (120-277V)	U (120-277V)
Lumen Output (lm)	9,241 lm	14,227 lm	2,472 lm
Efficacy (lm/W)	116 lm/W	115 lm/W	126 lm/W
Color Rendering Index	80+ CRI	80+ CRI	80+ CRI
Color Temperature	40 (4000K) / 50 (5000K)	40 (4000K) / 50 (5000K)	40 (4000K) / 50 (5000K)
Dimming Compatible	No	No	No
Replacement Wattage	250W - 400W HID	400 W HID	100 W HID
Longevity (L70)	69,000 hours	69,000 hours	63,000 hours
Certifications/Listings	UL, DLC, IP65	UL, DLC, IP65	cULus, DLC



LOW PROFILE / LED SHOWBOX WALL PACKS

LED CANOPY PACKS



Model Name	AL-BE-CP-44-8-50-U	AL-BE-CP-80-8-50-U
Input Wattage (W)	44W	80W
Voltage (V)	U (120-277V)	U (120-277V)
Lumen Output (lm)	4,948 lm	9,548 lm
Efficacy (lm/W)	112 lm/W	120 lm/W
Color Rendering Index	80+ CRI	80+ CRI
Color Temperature	40 (4000K) / 50 (5000K)	40 (4000K) / 50 (5000K)
Dimming Compatible	Yes	Yes
Replacement Wattage	175 - 250W HID	250-400W HID
Longevity (L70)	62,000 hours	60,000 hours
Certifications/Listings	UL, DLC	UL, DLC

PART #	DIMENSIONS			WEIGHT lbs
	L	W	H	
AL-BE-CP-44	10"	10"	3 5/8"	5.6
AL-BE-CP-80	14"	14"	4"	10.0

Model Name	AL-BE-CP-120-8-50-U
Input Wattage (W)	120W
Voltage (V)	U (120-277V)
Lumen Output (lm)	11,953 lm
Efficacy (lm/W)	100 lm/W
Color Rendering Index	80+ CRI
Color Temperature	40 (4000K) / 50 (5000K)
Dimming Compatible	Yes
Replacement Wattage	400W HID
Longevity (L70)	50,000 hours
Certifications/Listings	cULus, IP65, DLC

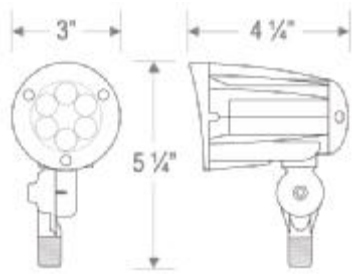
PART #	DIMENSIONS		
	L	W	H
AL-BE-CP-120	16"	16"	7 3/4"



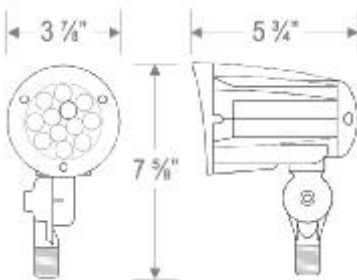


Model Name	AL-BE-BFL-15-8-50-U-K	AL-BE-BFL-28-8-50-U-K	AL-BE-BFL-42-8-50-U-K
Input Wattage (W)	15W	28W	42W
Voltage (V)	U (120-277V)	U (120-277V)	U (120-277V)
Lumen Output (lm)	1,700 lm	3,200 lm	4,800 lm
Efficacy (lm/W)	113 lm/W	114 lm/W	114 lm/W
Color Rendering Index	80+ CRI	80+ CRI	80+ CRI
Color Temperature	40 (4000K) / 50 (5000K)	40 (4000K) / 50 (5000K)	40 (4000K) / 50 (5000K)
Dimming Compatible	No	No	No
Replacement Wattage	100W HID	100-175W HID	175-200W HID
Longevity (L70)	69,000 hours	69,000 hours	69,000 hours
Certifications/Listings	cULus, DLC	cULus, DLC	cULus, DLC

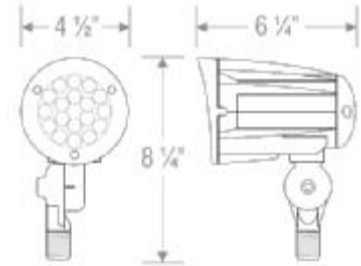
AL-BE-BFL-15



AL-BE-BFL-28



AL-BE-BFL-42



Other Mounting Options



Spike Mount



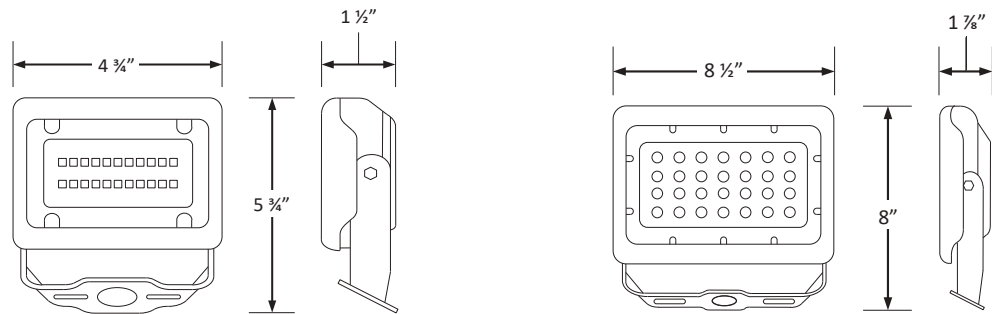
Canopy Mount

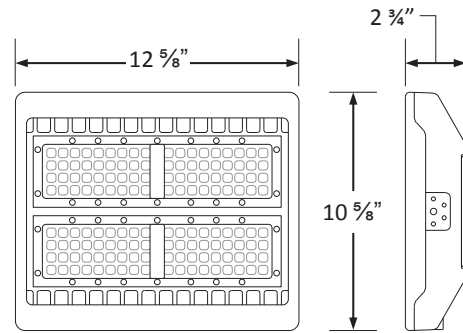


LED FLOOD LIGHTS



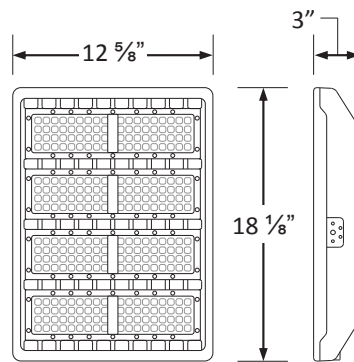
Model Name	AL-BE-FL2-14-8-50-U-Y	AL-BE-FL2-30-8-50-U-Y	AL-BE-FL2-49-8-50-U-Y
Input Wattage (W)	14W	30W	49W
Voltage (V)	U (120-277V)	U (120-277V)	U (120-277V)
Lumen Output (lm)	1,624 lm	3,432 lm	5,793 lm
Efficacy (lm/W)	116 lm/W	114 lm/W	118 lm/W
Color Rendering Index	80+ CRI	80+ CRI	80+ CRI
Color Temperature	40 (4000K) / 50 (5000K)	40 (4000K) / 50 (5000K)	40 (4000K) / 50 (5000K)
Dimming Compatible	No	No	No
Replacement Wattage	75W - 100W HID	100-175W HID	175-200W HID
Longevity (L70)	372,000 hours	372,000 hours	295,000 hours
Certifications/Listings	UL, DLC, IP66	UL, DLC, IP66	UL, DLC, IP66
Mounting	K (Knuckle) / Y (Yoke)	K (Knuckle) / Y (Yoke)	K (Knuckle) / Y (Yoke)





LED FLOOD LIGHTS

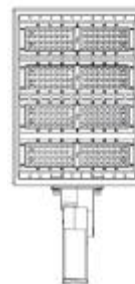
Model Name	AL-BE-FL2-80-8-50-U	AL-BE-FL2-100-8-50-U	AL-BE-FL2-140-8-50-U
Input Wattage (W)	80W	100W	140W
Voltage (V)	U (120-277V) / HV (480V)	U (120-277V) / HV (480V)	U (120-277V) / HV (480V)
Lumen Output (lm)	10,008 lm	12,084 lm	16,687 lm
Efficacy (lm/W)	125 lm/W	121 lm/W	119 lm/W
Color Rendering Index	80+ CRI	80+ CRI	80+ CRI
Color Temperature	40 (4000K) / 50 (5000K)	40 (4000K) / 50 (5000K)	40 (4000K) / 50 (5000K)
Dimming Compatible	No	No	No
Replacement Wattage	100 - 175W HID	175 - 250W HID	250 - 400W HID
Longevity (L70)	141,000 hours	141,000 hours	141,000 hours
Certifications/Listings	UL, DLC, IP66	UL, DLC, IP66	UL, DLC, IP66



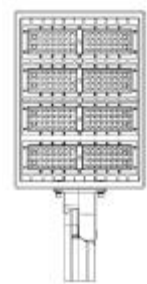
Yoke Mount
AL-BE-FL2-YK-80-280



Trunnion Mount
AL-BE-FL2-TR-80-280



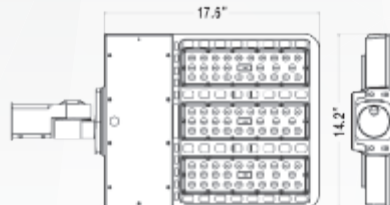
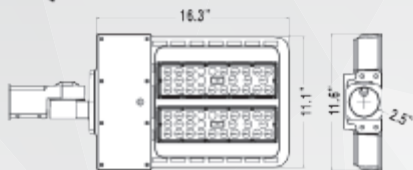
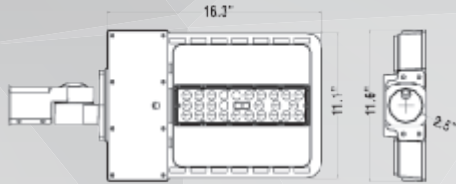
Adjustable Arm Mount
AL-BE-FL2-ARM-80-280



Slip-Fitter Mount
AL-BE-FL2-SF-80-280

Model Name	AL-BE-FL2-240-8-50-U	AL-BE-FL2-280-8-50-U
Input Wattage (W)	240W	280W
Voltage (V)	U (120-277V) / HV (480V)	U (120-277V) / HV (480V)
Lumen Output (lm)	28,410 lm	32,956 lm
Efficacy (lm/W)	118 lm/W	118 lm/W
Color Rendering Index	80+ CRI	80+ CRI
Color Temperature	40 (4000K) / 50 (5000K)	40 (4000K) / 50 (5000K)
Dimming Compatible	No	No
Replacement Wattage	250W - 400W HID	250 - 400W HID
Longevity (L70)	141,000 hours	141,000 hours
Certifications/Listings	UL, DLC, IP66	UL, DLC, IP66

LED STREET / PARKING LOT LIGHT



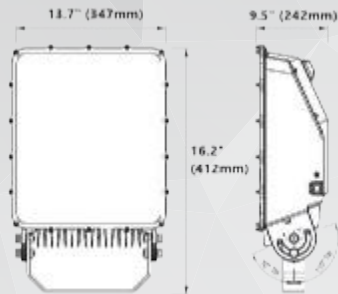
Model Name	AL-JI-FL-100-8-50-U
Input Wattage (W)	100W
Voltage (V)	U (120-277V) / HV (480V)
Lumen Output (lm)	14,000 lm
Efficacy (lm/W)	140 lm/W
Color Rendering Index	80+ CRI
Color Temperature	40 (4000K) / 50 (5000K)
Dimming Compatible	N/A
Replacement Wattage	400W - 450W HID
Longevity (L70)	+50,000 hours
Certifications/Listings	UL, IP65, FCC



Model Name	AL-JI-FL-150-8-50-U	AL-JI-FL-200-8-50-U
Input Wattage (W)	150W	200W
Voltage (V)	U (120-277V) / HV (480V)	U (120-277V) / HV (480V)
Lumen Output (lm)	21,000 lm	28,000 lm
Efficacy (lm/W)	140 lm/W	140 lm/W
Color Rendering Index	80+ CRI	80+ CRI
Color Temperature	40 (4000K) / 50 (5000K)	40 (4000K) / 50 (5000K)
Dimming Compatible	N/A	N/A
Replacement Wattage	400W HID	400W - 750W HID
Longevity (L70)	+50,000 hours	+50,000 hours
Certifications/Listings	UL, IP65, FCC	UL, IP65, FCC

Model Name	AL-JI-FL-300-8-50-U
Input Wattage (W)	300W
Voltage (V)	U (120-277V) / HV (480V)
Lumen Output (lm)	42,000 lm
Efficacy (lm/W)	140 lm/W
Color Rendering Index	80+ CRI
Color Temperature	40 (4000K) / 50 (5000K)
Dimming Compatible	N/A
Replacement Wattage	750W - 1000W HID
Longevity (L70)	+50,000 hours
Certifications/Listings	UL, IP65, FCC





Slip Fitter Mount

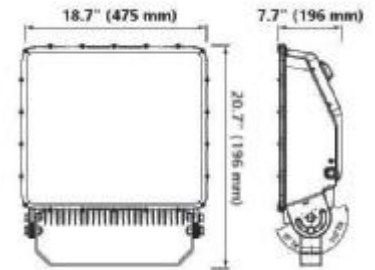


Bracket Mount

Model Name	AL-GT-MA-200-8-50-U	AL-GT-MA-250-8-50-U
Input Wattage (W)	200W	250W
Voltage (V)	U (120-277V / HV (480V)	U (120-277V / HV (480V)
Lumen Output (lm)	30,000 lm	37,500 lm
Efficacy (lm/W)	150 lm/W	150 lm/W
Color Rendering Index	80+ CRI	80+ CRI
Color Temperature	40 (4000K) / 50 (5000K)	40 (4000K) / 50 (5000K)
Dimming Compatible	0 - 10 V (Optional)	0 - 10 V (Optional)
Replacement Wattage	400W HID	750W HID
Longevity (L70)	100,000 hours	100,000 hours
Certifications/Listings	UL, DLC, IP66	UL, DLC, IP66



Model Name	AL-GT-MA-400-8-50-U
Input Wattage (W)	400W
Voltage (V)	U (120-277V / HV (480V)
Lumen Output (lm)	60,000 lm
Efficacy (lm/W)	150 lm/W
Color Rendering Index	80+ CRI
Color Temperature	40 (4000K) / 50 (5000K)
Dimming Compatible	0 - 10 V (Optional)
Replacement Wattage	1000W HID
Longevity (L70)	100,000 hours
Certifications/Listings	UL, DLC, IP66



LED AREA / FLOOD LIGHT



LED VAPOR PROOF LIGHTS



Model Name **AL-QS-JJB-12-7-50-U**

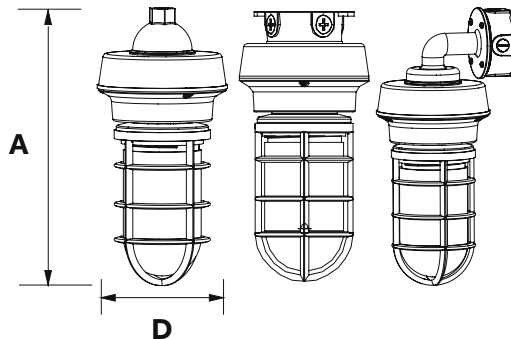
Input Wattage (W)	12W
Voltage (V)	U (120-277V)
Lumen Output (lm)	1,440 lm
Efficacy (lm/W)	120 lm/W
Color Rendering Index	70+ CRI
Color Temperature	50 (5000K)
Dimming Compatible	No
Replacement Wattage	26W CFL / 100W HID
Longevity (L70)	50,000 hours
Certifications/Listings	CSA, UL

Model Name **AL-QS-JJW-12-7-50-U**

Input Wattage (W)	12W
Voltage (V)	U (120-277V)
Lumen Output (lm)	1,440 lm
Efficacy (lm/W)	120 lm/W
Color Rendering Index	70+ CRI
Color Temperature	50 (5000K)
Dimming Compatible	No
Replacement Wattage	26W CFL / 100W HID
Longevity (L70)	50,000 hours
Certifications/Listings	CSA, UL

Model Name **AL-QS-JJP-12-7-60-U**

Input Wattage (W)	12W
Voltage (V)	U (120-277V)
Lumen Output (lm)	1,440 lm
Efficacy (lm/W)	120 lm/W
Color Rendering Index	70+ CRI
Color Temperature	50 (5000K)
Dimming Compatible	No
Replacement Wattage	26W CFL / 100W HID
Longevity (L70)	50,000 hours
Certifications/Listings	CSA, UL



Diameter (D)
7 1/8"

Height (A)
JJP 14 3/4"
JJB 15"
JJW 18 1/4"



Model Name	AL-JI-AN-C1D2-60-80-50-U	AL-JI-AN-C1D2-80-80-50-U
Input Wattage (W)	60W	80W
Voltage (V)	U (120-277V)	U (120-277V)
Lumen Output (lm)	8,100 lm	10,800 lm
Efficacy (lm/W)	135 lm/W	135 lm/W
Color Rendering Index	80+ CRI	80+ CRI
Color Temperature	50 (5000K)	50 (5000K)
Dimming Compatible	No	No
Replacement Wattage	75W-250W	250W
Longevity (L70)	50,000 Hours	50,000 Hours
Certifications/Listings	ETL: UL, CSA, C1D2	ETL: UL, CSA, C1D2

Model Name	AL-JI-AN-C1D2-100-80-50-U	AL-JI-AN-C1D2-150-80-50-U	AL-JI-AN-C1D2-200-80-50-U
Input Wattage (W)	100W	150W	200W
Voltage (V)	U (120-277V)	U (120-277V)	U (120-277V)
Lumen Output (lm)	13,500 lm	20,250 lm	27,000 lm
Efficacy (lm/W)	135 lm/W	135 lm/W	135 lm/W
Color Rendering Index	80+ CRI	80+ CRI	80+ CRI
Color Temperature	50 (5000K)	50 (5000K)	50 (5000K)
Dimming Compatible	No	No	No
Replacement Wattage	250W-400W	400W-750W	750W-1000W
Longevity (L70)	50,000 Hours	50,000 Hours	50,000 Hours
Certifications/Listings	ETL: UL, CSA, C1D2	ETL: UL, CSA, C1D2	ETL: UL, CSA, C1D2



Model Name	AL-JI-BN-C1D2-60-80-50-U	AL-JI-BN-C1D2-80-80-50-U
Input Wattage (W)	60W	80W
Voltage (V)	U (120-277V)	U (120-277V)
Lumen Output (lm)	8,100 lm	10,800 lm
Efficacy (lm/W)	135 lm/W	135 lm/W
Color Rendering Index	80+ CRI	80+ CRI
Color Temperature	50 (5000K)	50 (5000K)
Dimming Compatible	No	No
Replacement Wattage	75W-250W	250W
Longevity (L70)	50,000 Hours	50,000 Hours
Certifications/Listings	ETL: UL, CSA, C1D2	ETL: UL, CSA, C1D2

Model Name	AL-JI-BN-C1D2-100-80-50-U	AL-JI-BN-C1D2-150-80-50-U	AL-JI-BN-C1D2-200-80-50-U
Input Wattage (W)	100W	150W	200W
Voltage (V)	U (120-277V)	U (120-277V)	U (120-277V)
Lumen Output (lm)	13,500 lm	20,250 lm	27,000 lm
Efficacy (lm/W)	135 lm/W	135 lm/W	135 lm/W
Color Rendering Index	80+ CRI	80+ CRI	80+ CRI
Color Temperature	50 (5000K)	50 (5000K)	50 (5000K)
Dimming Compatible	No	No	No
Replacement Wattage	250W-400W	400W-750W	750W-1000W
Longevity (L70)	50,000 Hours	50,000 Hours	50,000 Hours
Certifications/Listings	ETL: UL, CSA, C1D2	ETL: UL, CSA, C1D2	ETL: UL, CSA, C1D2

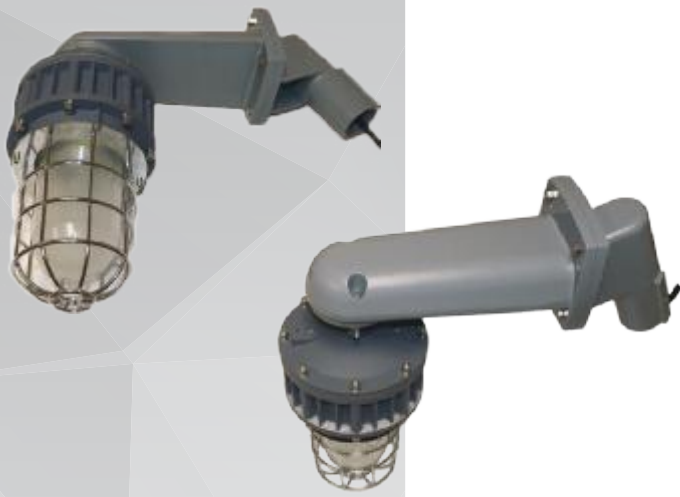
LED AREA LIGHTS FOR HAZARDOUS LOCATION



Model Name	AL-JI-CN-C1D1-100-80-50-U	AL-JI-CN-C1D1-150-80-50-U
Input Wattage (W)	100W	150W
Voltage (V)	U (120-277V)	U (120-277V)
Lumen Output (lm)	13,500 lm	20,250 lm
Efficacy (lm/W)	135 lm/W	135 lm/W
Color Rendering Index	80+ CRI	80+ CRI
Color Temperature	50 (5000K)	50 (5000K)
Dimming Compatible	No	No
Replacement Wattage	250W-400W	400W-750W
Longevity (L70)	50,000 Hours	50,000 Hours
Certifications/Listings	UL, CSA, C1D1	UL, CSA, C1D1

Model Name	AL-JI-DN-C1D1-100-80-50-U	AL-JI-DN-C1D1-150-80-50-U
Input Wattage (W)	100W	150W
Voltage (V)	U (120-277V)	U (120-277V)
Lumen Output (lm)	13,500 lm	20,250 lm
Efficacy (lm/W)	135 lm/W	135 lm/W
Color Rendering Index	80+ CRI	80+ CRI
Color Temperature	50 (5000K)	50 (5000K)
Dimming Compatible	No	No
Replacement Wattage	250W-400W	400W-750W
Longevity (L70)	50,000 Hours	50,000 Hours
Certifications/Listings	UL, CSA, C1D1	UL, CSA, C1D1

Model Name	AL-JI-FN-C1D1-80-80-50-U
Input Wattage (W)	80W
Voltage (V)	U (120-277V)
Lumen Output (lm)	13,500 lm
Efficacy (lm/W)	168 lm/W
Color Rendering Index	80+ CRI
Color Temperature	50 (5000K)
Dimming Compatible	No
Replacement Wattage	250W
Longevity (L70)	50,000 Hours
Certifications/Listings	UL, CSA, C1D1



Model Name	AL-JI-GN-C1D1-30-80-50-U
Input Wattage (W)	30W
Voltage (V)	U (120-277V)
Lumen Output (lm)	4,050 lm
Efficacy (lm/W)	135 lm/W
Color Rendering Index	80+ CRI
Color Temperature	50 (5000K)
Dimming Compatible	No
Replacement Wattage	100W
Longevity (L70)	50,000 Hours
Certifications/Listings	UL, CSA, C1D1



Model Name	AL-JI-H4N-C1D2-60-80-50-U
Input Wattage (W)	60W
Voltage (V)	U (120-277V)
Lumen Output (lm)	8,100 lm
Efficacy (lm/W)	135 lm/W
Color Rendering Index	80+ CRI
Color Temperature	50 (5000K)
Dimming Compatible	No
Replacement Wattage	125W
Longevity (L70)	50,000 Hours
Certifications/Listings	UL, CSA, C1D2



Model Name	AL-JI-I4N-C1D1-60-80-50-U	AL-JI-I4N-C1D1-80-80-50-U
Input Wattage (W)	60W	80W
Voltage (V)	U (120-277V)	U (120-277V)
Lumen Output (lm)	8,100 lm	10,800 lm
Efficacy (lm/W)	135 lm/W	135 lm/W
Color Rendering Index	80+ CRI	80+ CRI
Color Temperature	50 (5000K)	50 (5000K)
Dimming Compatible	No	No
Replacement Wattage	125W	125W
Longevity (L70)	50,000 Hours	50,000 Hours
Certifications/Listings	UL, CSA, C1D1	UL, CSA, C1D1



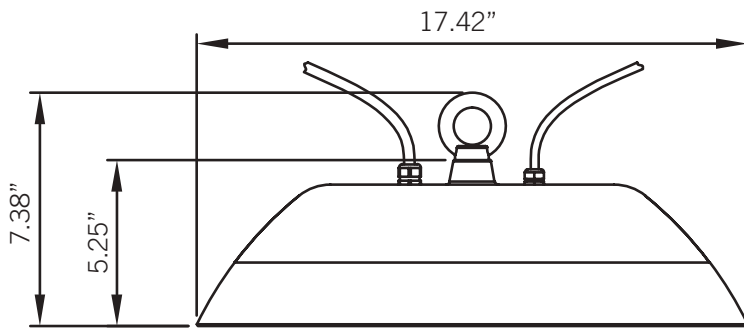
DEBRIS SHEDDING FOOD GRADE LED



Model Name	AL-RL-FP-HB-150-8-50-U
Input Wattage (W)	150W
Voltage (V)	120-277V
Lumen Output (lm)	19,800 lm
Efficacy (lm/W)	132 lm/W
Color Rendering Index	82+ CRI
Color Temperature	40 (4000K) / 50 (5000K)
Dimming Compatible	Yes
Replacement Wattage	400W HID, 4LT5, 6LT5, 6LT8
Longevity (L70)	100,000 hours
Certifications/Listings	UL, DLC, ETL, IP69K, NSF

Features:

- IP69K rated: Wet location for high pressure cleaning
- ETL Sanitation listed: NSF/ANSI standard 2 food equipment (splash zone and non-food zone)
- Powered by Abaco 0-10V dimming LED driver
- Ambient operating temperature: -40°C to 40°C



L70 > 100,000 hours @ 25°C fixture ambient

- Ring bolt mounting accessory included
- 0-10V dimming, 10% minimum
- THD: <20%
- 6' cord for input and dimming wires





Model Name	A19LED-5-50	A19LED-9-50
Input Wattage (W)	5.5W	9W
Voltage (V)	120 V	120 V
Lumen Output (lm)	480 lm	810 lm
Efficacy (lm/W)	87 lm/W	90 lm/W
Color Rendering Index	80+ CRI	80+ CRI
Color Temperature	27 (2700K) / 50 (5000K)	27 (2700K) / 50 (5000K)
Mounting	No	Yes
Replacement Wattage	40W Incandescent	60W Incandescent
Longevity (L70)	25,000 hours	25,000 hours
Certifications/Listings	UL, RoHS, Energy Star	UL, RoHS, Energy Star



Model Name	A19LED-11-50	A21LED-16-50
Input Wattage (W)	11W	16W
Voltage (V)	120 V	120 V
Lumen Output (lm)	1,100 lm	1,600 lm
Efficacy (lm/W)	100 lm/W	100 lm/W
Color Rendering Index	80+ CRI	80+ CRI
Color Temperature	27 (2700K) / 50 (5000K)	27 (2700K) / 50 (5000K)
Mounting	Yes	Yes
Replacement Wattage	75W Incandescent	100W Incandescent
Longevity (L70)	25,000 hours	25,000 hours
Certifications/Listings	UL, RoHS, Energy Star	UL, RoHS, Energy Star



Model Name	MR16LED-5-50	B11LED-6-50	PAR30LED-10-50
Input Wattage (W)	5W	6W	10W
Voltage (V)	120 V	120 V	120 V
Lumen Output (lm)	315 lm	810 lm	1,600 lm
Efficacy (lm/W)	67 lm/W	77 lm/W	80 lm/W
Color Rendering Index	80+ CRI	80+ CRI	80+ CRI
Color Temperature	30 (3000K) / 50 (5000K)	27 (2700K) / 50 (5000K)	30 (3000K) / 50 (5000K)
Dimming Compatible	Yes	Yes	Yes
Replacement Wattage	40W Incandescent	50W Incandescent	75W Incandescent
Longevity (L70)	25,000 Hours	25,000 Hours	25,000 Hours
Certifications/Listings	UL, RoHS, Energy Star	UL, RoHS, Energy Star	UL, RoHS, Energy Star



LED BULBS

Model Name	PLLED-9-GX23-2-40	PLLED-10-GX24Q1-50	PLLED-11-G24D2-50
Input Wattage (W)	9W	10W	11W
Voltage (V)	120 V	120 V	120 V
Lumen Output (lm)	800 lm	800 lm	1,100 lm
Efficacy (lm/W)	89 lm/W	80 lm/W	100 lm/W
Color Rendering Index	80+ CRI	80+ CRI	80+ CRI
Color Temperature	40 (4000K)	40 (4000K) / 50 (5000K)	30 (3000K) / 40 (4000K) / 50 (5000K)
Dimming Compatible	No	No	No
Replacement Wattage	13 W	13 W	18 W
Longevity (L70)	25,000 hours	25,000 hours	25,000 hours
Certifications/Listings	UL, RoHS	UL, RoHS	UL, RoHS



Model Name	L54T5HO-27-8-50-BC-A	L32T8-14-8-50-BC-A
Input Wattage (W)	27W	14W
Voltage (V)	120-277 V	120-277 V
Lumen Output (lm)	3,800 lm	2,100 lm
Efficacy (lm/W)	140 lm/W	150 lm/W
Color Rendering Index	80+ CRI	80+ CRI
Color Temperature	5000K	40 (4000K) / 50 (5000K)
Mounting	No	No
Replacement Wattage	4' Linear T5HO bulbs	4' Linear T8 bulbs
Longevity (L70)	50,000 hours	50,000 hours
Certifications/Listings	UL, DLC	UL, DLC





HID Metal Halide

Part #	MH70-U-MED	MH100-U-MED	MH175-U-MED	MH250-U	MH400-U	MH1000-U
Wattage (W)	70W	100W	175W	250W	400W	1000W
Base Type	BD-17 Medium	ED-17 Medium	ED-17 Medium	ED-28 Mogul	B-37 Mogul	B-37 Mogul
Quantity	1 - Case	1 - Case	Single	1 - Case	1 - Case	Single



HID High Pressure Sodium Bulbs

Part #	LU70-MED	LU100-MED	LU150-MED	LU250	LU400-U	LU1000
Wattage (W)	70W	100W	150W	250W	400W	1000W
Base Type	E-17 Medium	E-17 Medium	E-17 Medium	ED-18 Mogul	ED-18 Mogul	ED-18 Mogul
Quantity	1 - Case	1 - Case	Single	1 - Case	1 - Case	Single

T5HO Fluorescent Lamps



Part #	F54T5/HO/850	F49T5/HO/850
Wattage (W)	54W	49W
Color Temp.	835 (3500K)	835 (3500K)
	841 (4100K)	841 (4100K)
	850 (5000K)	850 (5000K)
Quantity	Case of 25	Case of 25

T8 Fluorescent Lamps



Part #	F17T8/850	F32T8/850/ES	F32T8/850	F32T8/850/HL
Wattage (W)	17W	28W	32W	32W
Color Temp.	841 (4100K)	841 (4100K)	841 (4100K)	841 (4100K)
	850 (5000K)	850 (5000K)	850 (5000K)	850 (5000K)
Type		Energy Saving (ES)		High Lumens (HL)
Quantity	Case of 25	Case of 25	Case of 25	Case of 25

T12 Fluorescent Lamps



Part #	F20T12/841/CW	F34T12/841/CW/ES	F96T12/841/CW/ES	F96T12/841/CW/HO
Wattage (W)	20 W - 2ft	34 W - 4ft	60 W - 8ft	96 W - 8ft
Color Temp.	841 (4100K)	841 (4100K)	841 (4100K)	841 (4100K)
Type		Energy Saving (ES)	Energy Saving (ES)	High Output (HO)
Quantity	Case of 30	Case of 30	Case of 30	Case of 30

For shatter resistant option, please add /SG at the end of part number

The following selected footcandle ranges represent the Illuminating Engineer Society's (IES) current illumination recommendations. Individual application will determine exact footcandle levels.

Airplane Manufacturing

Drilling, riveting, screw fastening.....	75
Final assembly, hangar.....	100
Inspection.....	50-200
Welding.....	50

Assembly

Rough easy seeing.....	20-50
Rough difficult seeing.....	50-100
Medium.....	100-200
Fine.....	200-500(a)
Extra fine.....	500-1000(a)

Auditoriums

Social activities.....	5-10
Assembly only.....	10-20
Exhibitions.....	10-20

Automobile Manufacturing

Final assembly, finishing, inspecting.....	200
Body & chassis assembly.....	100
Body parts manufacturing.....	100
Frame assembly.....	50

Banks

Lobby general.....	10-50
Writing areas.....	20-70
Teller stations, posting & keypunch.....	50-150

Barber Shops

Beauty Parlors.....	50-100
---------------------	--------

Chemical Works.....

30

Clothing Manufacturer

Receiving, storing, shipping, winding, measuring.....	20-50
Pattern making, trimming.....	50-100
Shops, marking.....	50-200
Cutting, pressing.....	100-500(a)
Sewing, inspection.....	200-500(a)

Electrical Equipment Manufacturing

Impregnating.....	20-50
Insulating coil winding, testing.....	50-100

Food Service Facilities

Dining areas	
Cashier.....	20-50
Cleaning.....	10-20
Dining.....	5-20
Food Displays.....	30-100
Kitchen.....	50-100

Foundries

Annealing furnaces.....	20-50
Cleaning.....	20-50
Core making.....	50-200
Inspection	
Fine.....	100-500
Medium.....	50-100
Molding.....	50-200
Pouring, sorting.....	50-100

Garage-Motor Vehicles

Storage.....	5
--------------	---

Traffic Lanes

Parking garage.....	10
Service garage.....	10-20
Entrances.....	50
Repair area.....	50-100

Gymnasiums

Assemblies.....	10
General exercise & recreation.....	30
Exhibitions, matches.....	50

Hospitals

Rooms.....	10-30
Corridors.....	5-30
Emergency Rooms.....	50-100
Operating Rooms.....	100-200

Hotels

Bathrooms.....	20-50
Bedrooms for reading.....	20-50
Corridors, elevators and stairs.....	10-20
Front desk.....	50-100
Linen room	
Sewing.....	100-200
General.....	10-20
Lobby	
General lighting.....	10-20
Reading and working areas.....	20-50

Iron & Steel Manufacturing

Stock, hot top, checker cellar, calcining.....	10-30
Building, slag pits, stripping yard.....	20
Control platforms, repairs, mixer building.....	30
Rolling mills.....	30-50
Shearing.....	50
Tin plate.....	50
Motor room, machine room.....	30
Inspection.....	100

Laundries

Washing.....	20-50
Ironing.....	20-100

Library

Ordinary reading, stacks.....	20-50
Book repair and binding.....	20-50
Study & notes, cataloging, card files	
check desk.....	20-100

Machine Shops

Rough bench.....	20-50
Medium bench, rough grinding	
buffing.....	50-100
Fine bench and work.....	200-500(a)

Material Handling

Loading trucking.....	10-20
Picking stock classifying.....	20-50
Wrapping, packing, labeling.....	20-50

Offices

Accounting.....	50-100
Audio-visual areas.....	20-50
Conference areas.....	20-70
Corridors, stairways.....	20(k)
Drafting.....	50-200

General and private offices.....	50-100
Lobbies, lounges and reception areas.....	0-20
Mail sorting.....	50-100
Off-set printing and duplicating area.....	20-50
Spaces with VDT's.....	75

Paint Shop

Spraying, rubbing, hand art stencil.....	20-50
Fine hand painting & finishing.....	50-100

Paper Manufacturing

Beaters, grinding.....	20-50
Finishing, cutting.....	50-100
Hand cutting.....	50-100
Paper machine reel, inspection.....	100-200
Rewinder.....	100-200

Printing

Photo engraving, etching	
blocking.....	20-50
Color inspecting.....	100-200
Presses.....	50-100
Proofreading.....	100-200
Composing room.....	50-100

Schools

Reading.....	20-100
Typing.....	20-100
Demonstrations.....	100-200
Sewing.....	20-100

Sheet Metal Works

General.....	100
Tin plate inspection, galvanized, scribing.....	100-200

Stores

Circulation area stockroom.....	10-30
Merchandising, serviced.....	30-100
Merchandising, self-service.....	200

Textile Mills

Cotton picking, carding, roving, spinning.....	50
Beaming & slashing.....	150
Drawing.....	200
Others.....	100

Warehousing, Storage

Inactive.....	5-10
Active	
Rough bulky.....	10-20
Medium.....	20
Fine.....	20-50

Welding

General.....	20-50
--------------	-------

Woodworking


Rough sawing and bench work.....	20-50
Sizing, planing, rough sanding, medium quality machine and bench work, gluing, veneering cooperage.....	20-50
Fine bench and machine work, fine sanding and finishing.....	50-100

Request for Lighting Proposal

Sales Rep: _____

Customer Information		
Business Name:		Contact Name:
Address:		Phone:
City:	Zip:	Email:
Name of Decision Maker:		

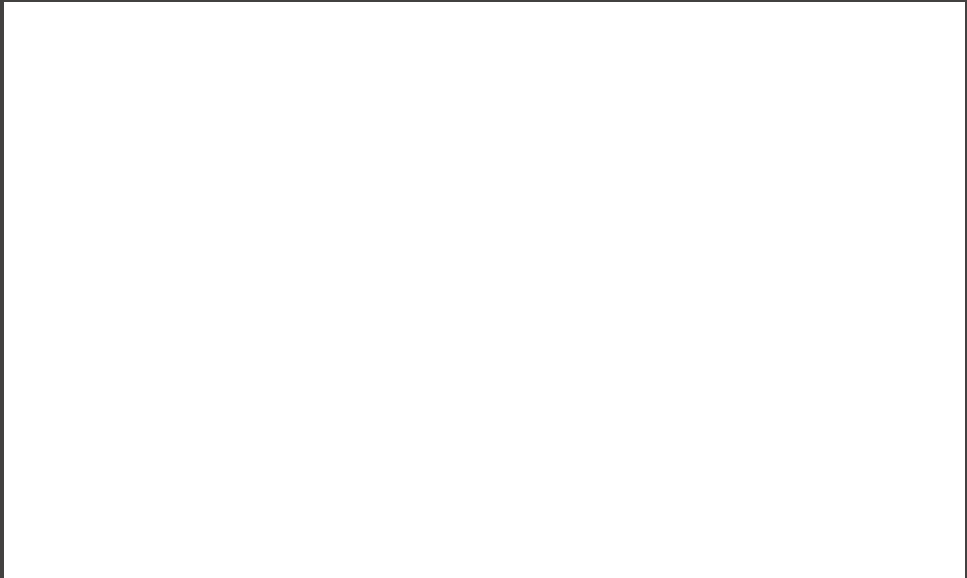
Application Information		
Burn Hours Per Week:	Weeks per Year:	Total Square Footage:
Utility Company:		Utility Rate or Total Bill/Total KWH:
Operating Voltage:	Light Level (fc): Desired or Measured	
<input type="checkbox"/> 120V	<input type="checkbox"/> 208V	<input type="checkbox"/> 277V <input type="checkbox"/> 480V
Describe Type of Work Performed:		

Notes and Diagrams	Fixture Type	Quantity
Customer is interested in:		
<input type="checkbox"/> ROI Analysis		
<input type="checkbox"/> Facility Lighting Layout		
<input type="checkbox"/> EPAct Tax Certification		
<input type="checkbox"/> Utility Rebates		
<input type="checkbox"/> Press Release		
		

Fax completed form to (754) 210-2144 or email to sales@abacolighting.com



2411 NW 16 Lane #5
Pompano Beach, FL 33064
Phone: (877) 337-4123



Lighting Guidebook

Commercial & Industrial

