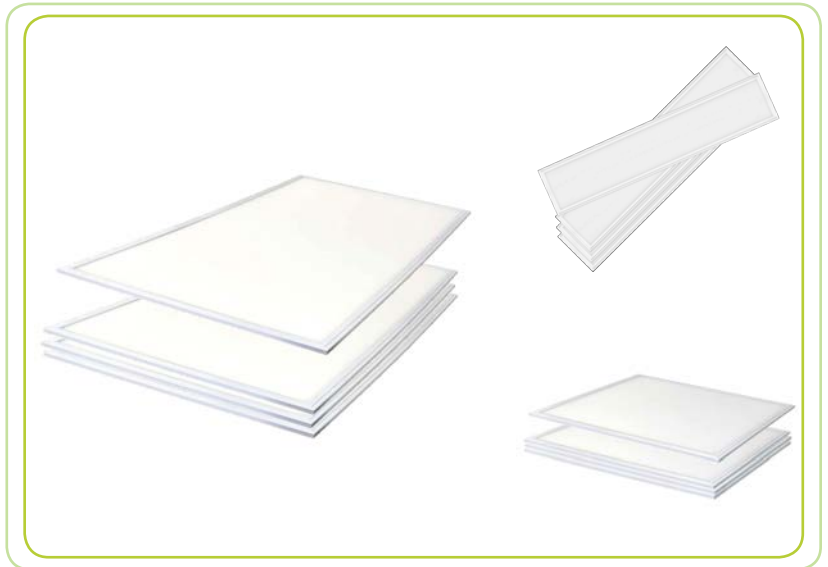


EFFICIENT ENERGY SOLUTIONS

DESCRIPTION

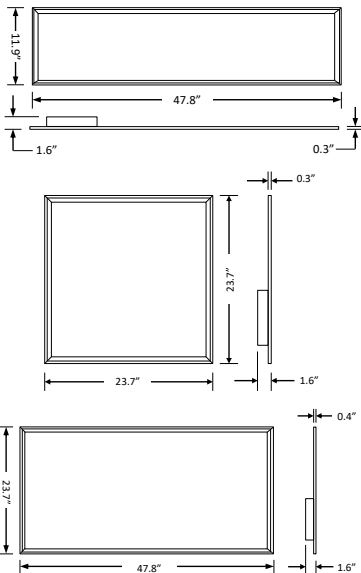
This ultra-thin, edge-lit LED panel is designed to deliver general ambient lighting in a variety of indoor settings, including schools, offices, hospitals and stores, and is the perfect choice for both new construction and retrofits.

- Uniform illumination with no visible LED pixilation.
- Universal 120-277 AC voltage (50-60Hz) is standard.
- 0-10vdc dimming capability is standard.
- Power factor > 0.90.
- Total harmonic distortion < 20%.
- Color rendering index > 80.
- Aluminum housing.
- DLC standard approved.



SPECIFICATIONS

DIMENSIONAL DRAWING



Model Name	AL-BE-1x4F-40-50	AL-BE-2x2F-40-50	AL-BE-2x4F-70-50
Power Consumption	40W	40W	70W
Input Voltage	120 - 277V	120 - 277V	120 - 277V
Lumen Output	4,208 lm	4,190 lm	7,930 lm
Efficacy	103 Lm/W	104 Lm/W	112 Lm/W
Color Rendering	>80 CRI	>80 CRI	>80 CRI
Color Temperature	40 (4000K) / 50 (5000K)	40 (4000K) / 50 (5000K)	40 (4000K) / 50 (5000K)
Dimming	Yes	Yes	Yes
Life Time Rating	96,000 hrs	96,000 hrs	96,000 hrs
Certifications	UL, DLC, FCC, DAMP, IC, RoHS		

ORDERING GUIDE

Series	Wattage	CRI	CCT
AL-BE-1X4F	40: 40 watt	8: 80+	40: 4000K
AL-BE-2X2F	70: 70 watt		50: 5000K
AL-BE-2X4F			