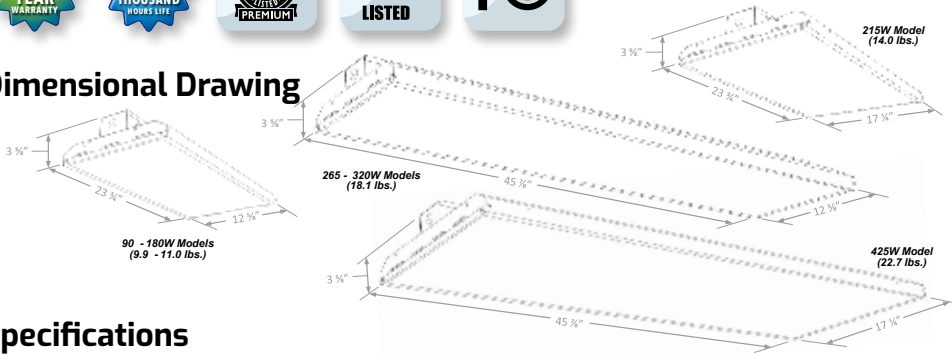




Dimensional Drawing



Specifications

Model Name	HB-87	HB-132	HB-178	HB-215	HB-267	HB-320	HB-428
Input Wattage (W)	87W	132 W	178W	215W	267W	320W	428W
Voltage (V)	U (120-277V) / HV (480V)						
Lumen Output (lm)	12,394 lm	18,564 lm	24,603 lm	30,356 lm	37,996 lm	44,460 lm	60,629 lm
Efficacy (lm/W)	142 lm/W	141 lm/W	143 lm/W	143 lm/W	142 lm/W	139 lm/W	142 lm/W
Color Rendering Index	80+ CRI						
Color Temperature	40 (4000K) / 50 (5000K)						
Dimming Compatible	Yes						
Replacement Wattage	250-400W HID, 4LT5, 6LT8	400W HID, 4LT5, 6LT8	400-750W HID, 6LT5, 8LT8	750W HID, 8LT5	750W HID, 10LT5	750-1000 W HID, 10K-12KT5	1000W HID, 12KT5
Longevity (L70)	122,000 Hours						
Certif. /Listings	UL, DLC						

Ordering Guide

EG: AL-BE-HB-87-8-40-U-CL

Model Name	Wattage	CRI	CCT	Driver	Lens
AL-BE-HB	87: 87 Watts 132: 132 Watts 178: 178 Watts 215: 215 Watts 267: 267 Watts 320: 320 Watts 428: 428 Watts	8: >80	40: 4000k 50: 5000k	U: Universal 120-277V HV: 480V	(blank): No Lens CL: Clear Lens FR: Frosted Lens

Designed to illuminate a wide variety of settings, including commercial, industrial & retail settings such as warehouses, manufacturing plants, sporting venues and big-box retailers.

FEATURES

- Rated for over 120,000 hours
- Universal 120-277 V AC Voltage Input
- Dimming Driver Standard
- >80 Color Rendering Index (CRI)
- Powder coated steel housing
- Easy installation in new construction or retrofit
- 5-year warranty
- Chain mounting with V-hooks standard