

AL-RO-TL2

LED TASK LIGHT

DESCRIPTION

The AL-RO-TL2 is a temporary work light that is ideal for a broad range of construction and maintenance activities with features tailored to meet the challenging demands of industrial and constitution applications.

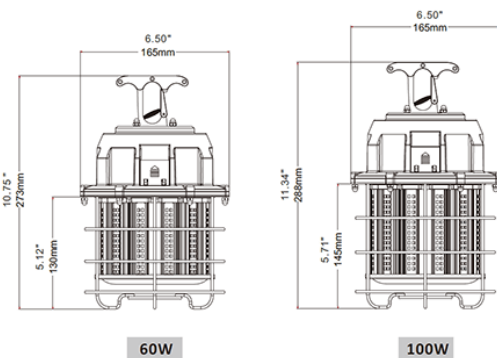
FEATURES

- 360 Degree Omni-directional lighting
- Ultra-bright: 120 lm/W
- 6-10KV internal surge protection
- 10-foot 18AWG cord and 120V plug included
- Suitable for dry and damp location
- Portable hook, easy to carry and quick install
- Heavy duty durable construction, stainless steel cage
- High Quality LED Driver
- Waterproof Rubber Design



SPECIFICATIONS

DIMENSIONAL DRAWING



Model Name	AL-RO-TL2-60-8-50-U	AL-RO-TL2-100-8-50-U
Power Consumption	60W	100W
Input Voltage	120 - 277V	120 - 277V
Lumen Output	7,800 Lm	12,000 Lm
Efficacy	130 lm/W	120 lm/W
Color Rendering	>80 CRI	>80 CRI
Color Temperature	5000K	5000K
Replaces	250W Halogen Lamp	500W Halogen Lamp
Life Time Rating	+50,000 Hours	+50,000 Hours
Dimming Compatible	No	No
Certifications	UL, FCC, RoHS, IP63	UL, FCC, RoHS, IP63
Operating Temperature	-40° F to 140° F	-40° F to 140° F

ORDERING GUIDE

Series	Wattage	CRI	CCT	Driver
AL-RO-TL2	60: 60 Watt 100: 100 Watt	8: 80+	50: 5000K	U: 120-277V