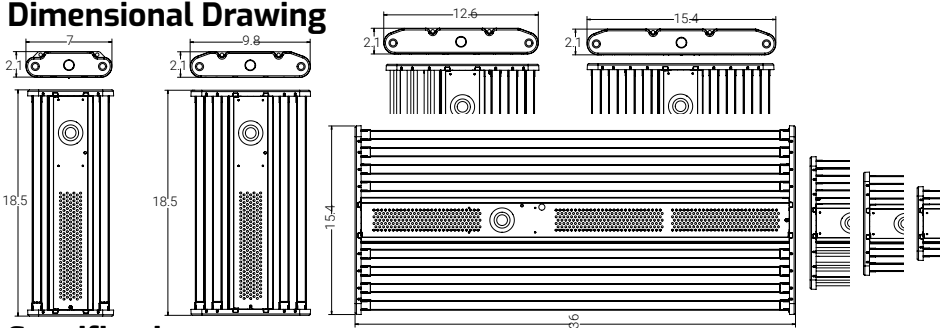


AL-ES5P (High Performance)

ES5P



Dimensional Drawing



Specifications

Model Name AL-ES5P	12K-6MS	21K-6MS	32K-8MS	38K-6M	46K-6M	56K-6M	66K-8M	74K-8M
Input Wattage (W)	69W	115W	181W	211W	258W	325W	364W	428W
Voltage (V)	<u>U</u> (120-277V) / HV (480V)							
Lumen Output (lm)	12,584 lm	20,820 lm	32,342 lm	38,313 lm	46,141 lm	55,516 lm	66,118 lm	73,867 lm
Efficacy (lm/W)	181 lm/W	181 lm/W	179 lm/W	181 lm/W	179 lm/W	172 lm/W	182 lm/W	173 lm/W
Color Rendering Index	80+ CRI							
Color Temperature	40 (4000K) / 50 (5000K)							
Dimming Compatible	Yes							
Longevity (L70)	122,000 Hours							
Certif. /Listings	ETL, UL, RoHS, DLC, AMI, CFR, ICES, CSA.							

Ordering Guide

EG: AL-ES5P-12K-6MS-80-40-U-CL

Model Name	Lumen Output	CRI	CCT	Driver	Lens
AL-ES5P	12K-6MS: 12,584 lm	7: >70	40: 4000k	U: Universal 120-277V	CL: Clear Lens
	21K-6MS: 20,820 lm	8: >80std	50: 5000k	HV: 480V	FR: Frosted Lens
	32K-8MS: 32,342 lm	9: >90			AL: Aisle Lens
	38K-6M: 38,313 lm				NW: Narrow Lens
	46K-6M: 46,141 lm				CC: Conformal coating (no lens)
	56K-6M: 55,516 lm				
	66K-8M: 66,118 lm				
	74K-8M: 73,867 lm				

KEY FEATURES

- 6,000 to 90,000 lumens
- Up to 214 LPW
- Up to 65°C ambient
- New smaller design
- Aluminum construction (heatsinks and wireway)
- Dust-proof and wet location options
- Dimmable 0-10V (standard)
- IoT Ready, UltraLink compatible
- 6KV surge protection (10KV & 20KV optional)


Abaco Lighting, Inc.

 2411 NW 16th Ln. #5 | Pompano Beach, FL 33064
 Office: 877-377-4123 www.abacolighting.com